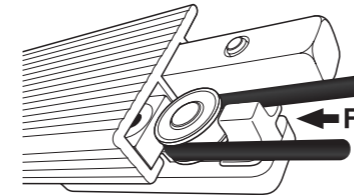


For ease of installation follow these instructions carefully. It is easier to use a wooden batten securely screwed to the wall with the track fixed to the face or underside of this batten. Alternatively the brackets may be fixed directly to the wall.

1. FOR TWO PIECE TRACKS ONLY



CENTRE PULLEY JOINING PIECE

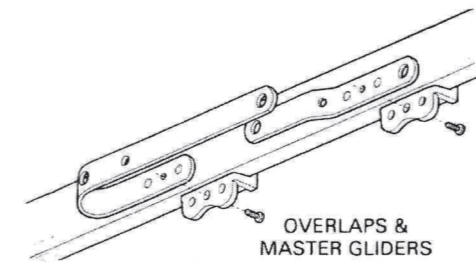
If your track is longer than 2.75 metres, we have supplied it in two equal lengths, each with its own independent cord pull. These two lengths can be easily and securely joined with the centre pulley and joining piece supplied.

It is a good idea to join them on the floor and have someone to help you lift them into place to avoid straining the joining piece.

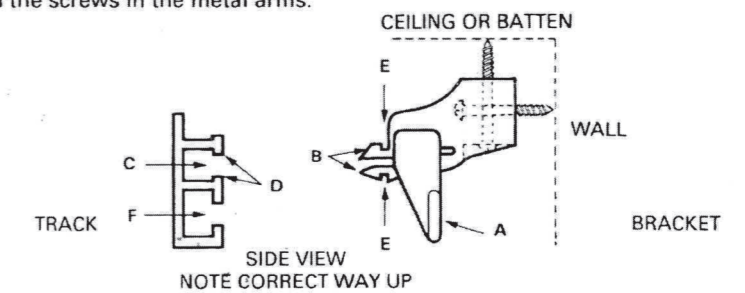
DO NOT OVERTIGHTEN THE SCREWS.

Each length has one overlap master glider. When connecting the joining piece, ensure that the cords are not twisted and run smoothly through guide F.

Assemble the overlap arms onto the mastergliders with the screws in the metal arms.



OVERLAPS & MASTER GLIDERS

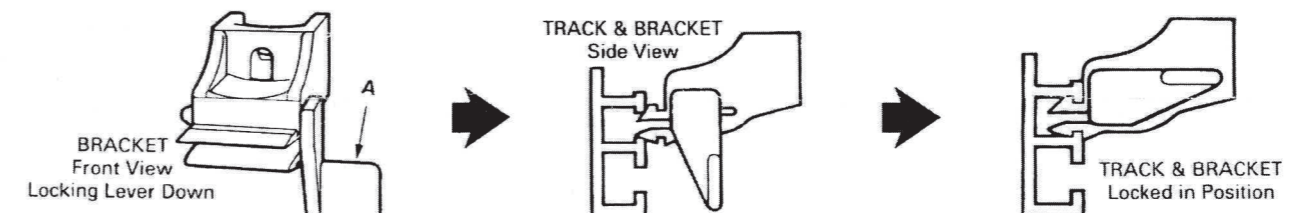


2. FIXING INSTRUCTIONS

a) Screw the brackets to the wall or batten, one within 5cm of each end of the track and the rest spaced equally between them. Make sure they are in a straight line and all the locking levers (A) are hanging downwards.

It is also recommended to mount a bracket immediately behind the pulley at the end where you will pull the cords. A bracket-fixing channel is provided at the back of the pulley for this purpose.

N.B. Do not use more runners than there are hooks in the curtain or they will jam. Do not over-tighten end pulleys.



b) Making sure that the track is the right way up, place the points of the bracket jaws (B) into the top channel (C) and press firmly home until the flanges (D) click into the grooves (E).

c) The locking lever (A) can then be pushed away from you through 90° to hold the track firmly in the jaws.

To remove the track, pull the lever (A) down again and, pushing the track upwards with your thumb to close the jaws, rotate the top towards you to disengage it from the jaws.

d) Screw the cord compensator to the wall or window sill directly below the end pulley on the track. The cords must not be twisted

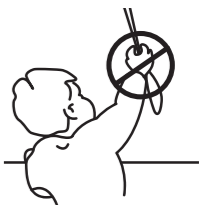
WARNING!

Young children can be strangled by loops in pull cords, chains, tapes and inner cords that operate the product.

To avoid strangulation and entanglement, keep cords out of the reach of young children.

Cords may become wrapped around a child's neck. Move beds, cots and furniture away from window covering cords.

Do not tie cords together. Make sure cords do not twist and create a loop.



See safety device - Fitting instructions



— HALLIS HUDSON —
Committed to excellence

Hallis Hudson Group Ltd, Unit B1, Red Scar Business Park, Preston, Lancashire PR2 5NJ
Sales Tel: 01772 202 202 | Sales Fax: 01772 515 515
Email: sales@hallishudson.com | www.hallishudson.com

SAFETY DEVICE - FITTING INSTRUCTIONS

SPECIFIC WARNING FOR NON-INTEGRAL SAFETY DEVICES

Children can strangle if this safety device is not installed. Always use this device to keep cords or chains out of reach of children.

NOTE: This Safety Device must be installed at the maximum distance possible from the control mechanism to ensure that the cord remains taut.

NOTE: The distance from the floor to the bottom of the cord must be AT LEAST 1.50 mt

Step 1

Using the two screws supplied, fix the tension pulley to the wall or window sill, directly in line with the pull cord as shown (Fig 1).

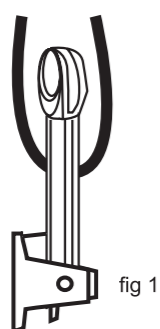


fig 1

Step 2

Extend the neck of the pulley and secure in higher position using a pin or small nail. Remove the central barrel of the pulley by pulling it down and then out (Fig 2).

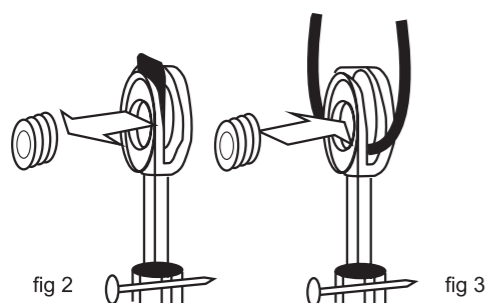


fig 2

fig 3

Step 3

Place the cord inside the pulley and replace the barrel ensuring it clicks into place (Fig 3).

Step 4

Take up the slack of the cord and tie a knot behind the masterside arm. Remove the pin or nail from the pulley, the cord will now be fully tensioned. If there is insufficient tension in the cord, reduce the cord length by adjusting the knot behind the masterside arm (Fig 4).

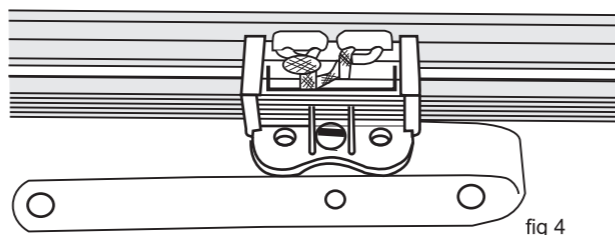


fig 4

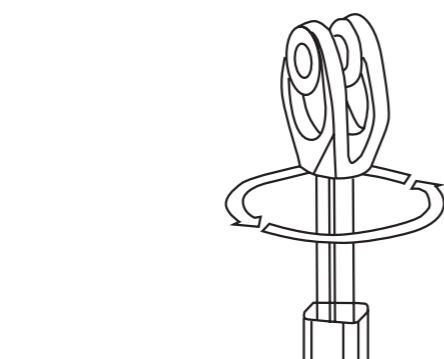


fig 5

Step 5

If the cord becomes twisted, simply rotate the head of the pulley to untwist it (Fig 5). The track is now ready to accept the curtains.

REMEMBER!

To avoid strangulation and entanglement, keep cords out of reach of young children. Cords may become wrapped around a child's neck. Move beds, cots and furniture away from window covering cords.

ADJUSTING THE TRACK TO FIT YOUR WINDOW

3. ADJUSTING THE CORD TENSION

This is done by pulling the excess cord through the master glider M1. Unfasten and pull the cord end X until the cord in the compensator is tight — Refasten the master glider and cut off the excess cord.

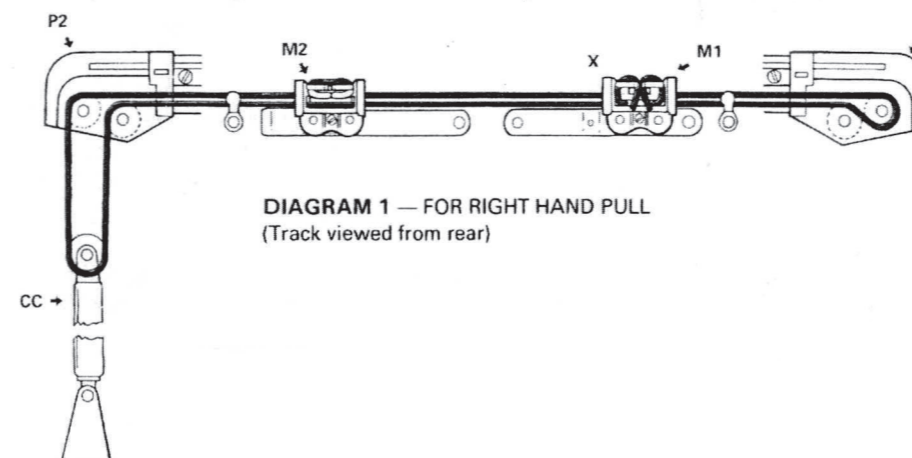


DIAGRAM 1 — FOR RIGHT HAND PULL
(Track viewed from rear)

4. SHORTENING THE TRACK

Lay the track face down on a clean soft surface. Draw the cords to the closed position and push all the runners to the centre of the track. Take off one of pulleys, making sure the cords do not get twisted.

On two-piece tracks it is best to cut the ends of the track at the end pulleys as these cuts are concealed when the end pulley is fitted. It is essential to cut equal lengths off each track in order to keep the centre pulley and track joint in a central position, unless you require curtains of unequal width.

Using a sharp hacksaw cut to length.

Clean off any metal dust, particularly in the glide channel.

Replace the end pulley — retightening the screw gently to avoid spoiling the face of the track.

Recentralise the master gliders by referring to paragraph 5.

5. CENTRALISING MASTER GLIDERS (ONE-PIECE TRACKS ONLY)

Draw the cords so that the master gliders move to the "open" position. If they are both pressing tightly against the runners, no adjustment is necessary. If one is standing away from the runners, remove the cord from that master glider cleat. Pull cord out through the hole until the master glider is up against the runners. Draw the surplus cord through and secure it over the cleat again or, if it is a cord end, cut off surplus.

N.B. Do not let the cord slip back through the hole in the master glider or you may have to start the cording operation all over again.

6. BENDING THE TRACK

This metal track can be easily bent. Bends up to 90 degrees can be made. The tightest curve possible is of 15cm (6") radius.

Do not try to bend within 30cm of a track join. The track can be bent by placing it **face down** onto a padded chair arm and applying firm but gradual pressure. Bend the track in stages constantly checking its curvature against your window shape, until it is correct. **DO NOT OVERBEND.**

7. CONVERTING TO LEFT HAND PULL (ONE-PIECE TRACKS ONLY)

Tracks up to 2.75 metres are supplied for pulling at the right hand end (diagram 1)

1. Remove the cord compensator (CC) by unbolting the pulley wheel.

2. Release the looped cord round the cleat of the master glider (M2) but do not let it slip back into the track.

3. Pull this small loop of cord out through the master glider until all the slack has been taken up. The cord now has to be transferred to the other end of the track as in diagram 2. When you have done this (again be careful not to allow the cord to slip back into the track), anchor it round the cleat of the master glider.

4. Replace the cord compensator.

5. Re-centralise the master gliders.

8. CARE OF YOUR TRACK

LUBRICATION

The track is treated with a silicone lubricant in the factory — Lubrication can be helpful especially on tight bends — Small aerosols of Rolls MSL lubricant are available from your dealer.

CLEANING

Use a soft cloth and warm soapy water to clean the face.

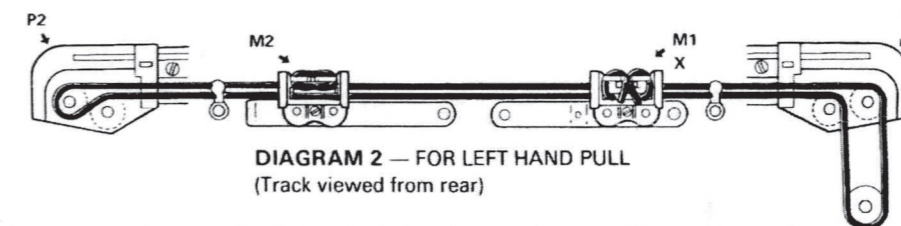


DIAGRAM 2 — FOR LEFT HAND PULL
(Track viewed from rear)