

Cord Operated Curtain Track Systems



www.thehomeofinteriors.co.uk

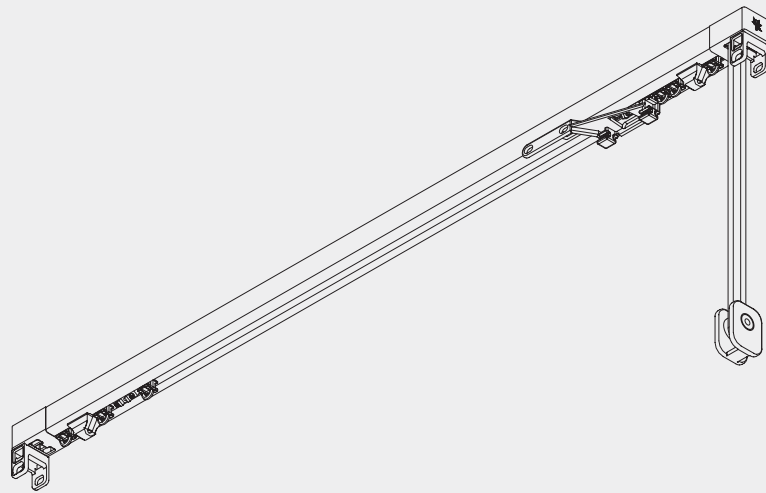
Email: sales@thehomeofinteriors.co.uk

Tel: 01590 615775



Cord Operated Curtain Track System

Silent Gliss® 3870



Product Information

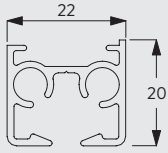
- Operation: cord drawn
- Range: M
- Fitting: ceiling, wall, recess
- Colours: white, matt white, silver anodised, anodic grey, charcoal and antique bronze
- Shape: square shaped
- 2C glider technology
- Wave compatible
- Bendable (including recess profile)
- Complies with safety norms EN 13120, EN 16433 and EN 16434



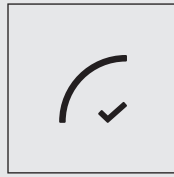
3870

Profile and Bending Information

Profile

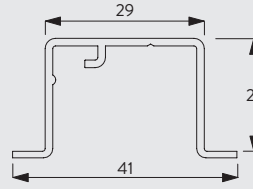


11190



Radius: >26 cm

Recess profile

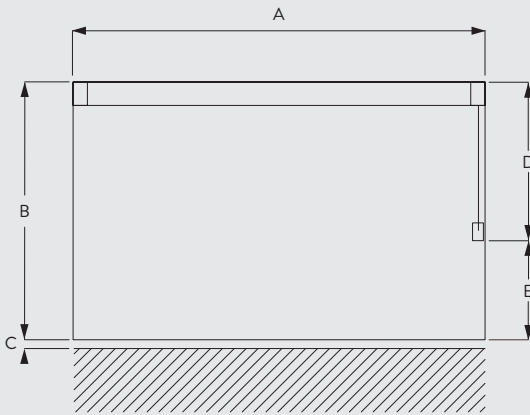


11230



Radius: >50 cm

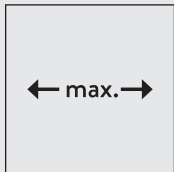
How To Measure



- A: System width
- B: System height
- C: Distance between floor and fabric
- D: cord height
- E: Safety retainer SG 10400 min. 150 cm above floor

System Dimensions

3870



6 m



14 kg

Max. Curtain Weight Chart - 2C Glider

	2 m	4 m	6 m
	12	11	10
	14	13	12
	9	8	7
	10	9	6
	6	5	4
	7	6	5
	5	4	3
	6	5	4

(kg max.)

Max. Curtain Weight Chart Wave and Roller Glider

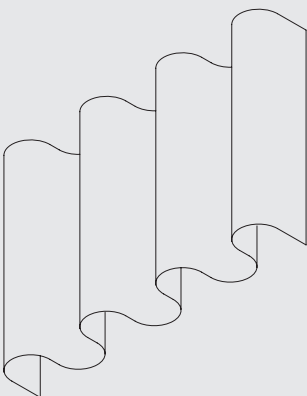
	2 m	4 m	6 m
	5	8	7
	5	8	8
	5	6	5
	5	6	6
	4	3	2
	4	4	3
	3	2	1
	3	3	2

(kg max.)

Straight tracks can be extended beyond 6m by using a connecting bridge.

System Options

Wave Curtain Heading System



Wave is a contemporary curtain heading system which allows curtains to hang in a continuous wave which is smooth, simple and elegant.

When using the Wave curtain heading system please note the maximum recommended curtain weight is 2.5kg/m. A greater weight may be achieved using wave roller glider 6099 (refer to System Dimensions).

The Wave standard components are:

- 11303 Glider Cord 60mm
- 11302 Glider Cord 80mm
- 6007 End stop
- 6315 Pilot runner

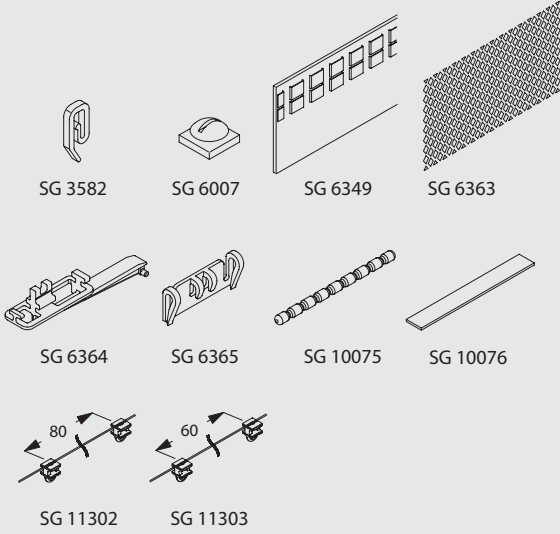
The items listed below for Enhanced Wave (80mm glider cord only) are all supplied at an additional cost as per the price list.

- 2255 Adjustable brake
- 6364 Extension (used with 6365)
- 6365 Hanger (used with 6364)
- 6366 Carrier for draw rod

Roller Gliders must be ordered separately
6099 Wave roller glider 80mm

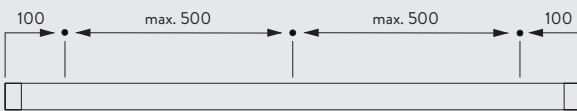
Optional components to improve the presentation of the curtain:

- 3582 Hook
- 6349 Curtain tape
- 6363 Iron-on top hemming tape
- 10075 Lead weight for hem of curtain 50gr/m
- 10076 Fabric weight for side edge of curtain



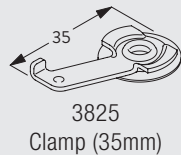
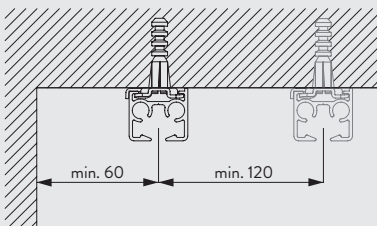
Fitting Information

Fixing Points

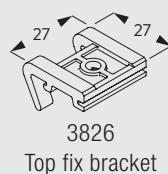
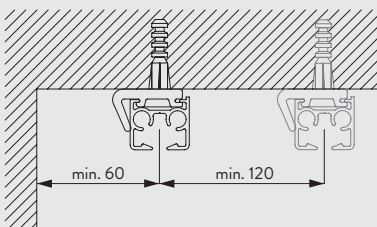


Fitting Options

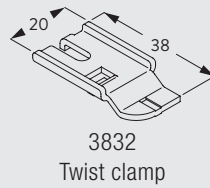
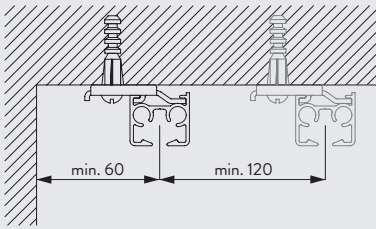
Ceiling fitting with clamp SG 3825



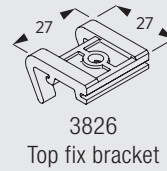
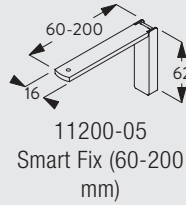
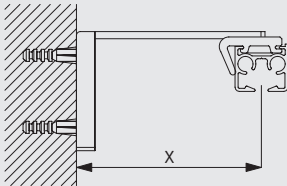
Ceiling fitting with bracket SG 3826



Ceiling fitting with bracket SG 3832

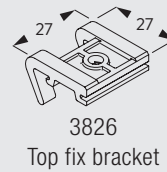
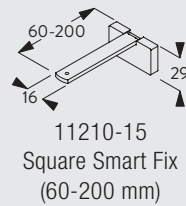
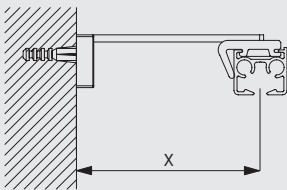


Wall fitting with Smart Fix SG 11200-11205 and bracket SG 3826



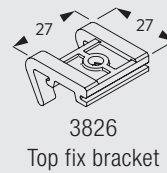
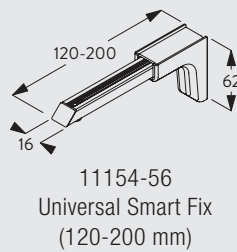
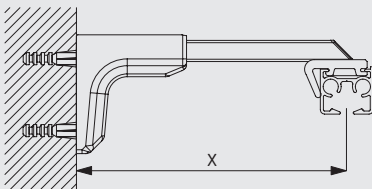
Brackets threaded for screw M4 x 8

Wall fitting with Square Smart Fix SG 11210-11215 and bracket SG 3826

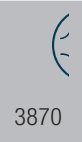


Brackets threaded for screw M4 x 8

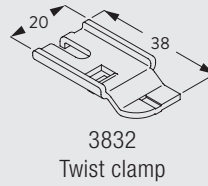
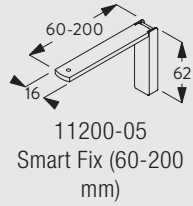
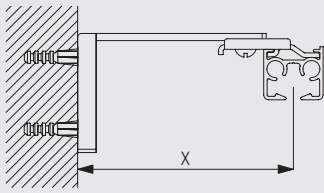
Wall fitting with Universal Smart Fix SG 11154-11156 and bracket SG 3826



Brackets threaded for screw M4 x 8

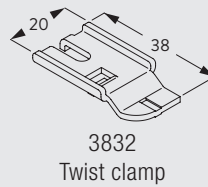
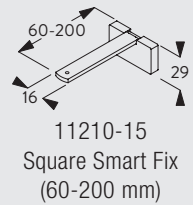
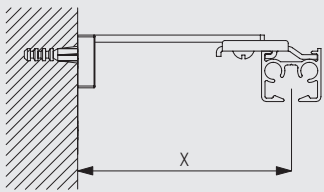


Wall fitting with Smart Fix SG 11200-11205 and bracket SG 3832



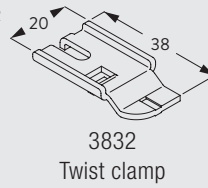
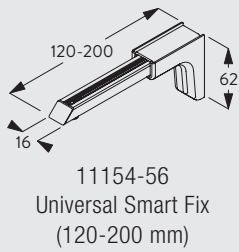
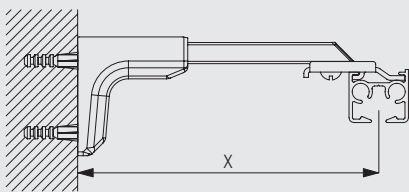
Brackets threaded for screw M4 x 8

Wall fitting with Square Smart Fix SG 11210-11215 and bracket SG 3832



Brackets threaded for screw M4 x 8

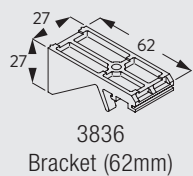
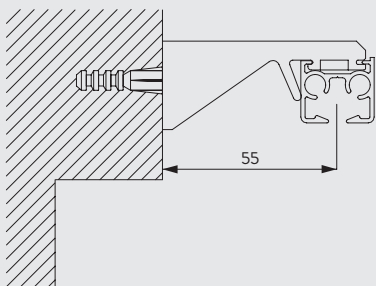
Wall fitting with Universal Smart Fix SG 11154-11156 and bracket SG 3832



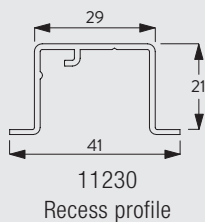
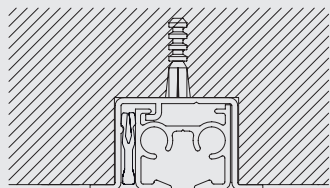
3870

Brackets threaded for screw M4 x 8

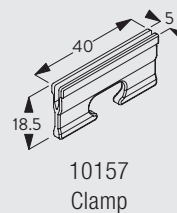
Wall fitting with bracket SG 3836



Recess fitting with recess profile SG 11230



11238
Recess Mask



Standard Accessories

3090 Cord (ø 3.5mm)



6086 Spring stop



10400 Safety Cord Retainer



11285 Guide set



3825 Clamp (35mm)



6288 Overlap arm



11190 Profile



11301 2C glider 11300 on strip (x20)



Optional Accessories

3582 Hook



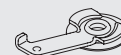
3599 Hook



3802 Connecting bridge



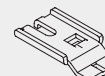
3825 Clamp (35mm)



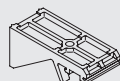
3826 Top fix bracket



3832 Twist clamp



3836 Bracket (62mm)



6053 Spring stop



6063 Metal overlap arm



6064 Screw twist endstop



6065 Twist eye endstop



6082 Glider



6098 Roller glider with eye



6283 Roller glider



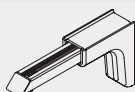
10157 Clamp



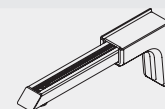
10407 Pan head screw M4x10

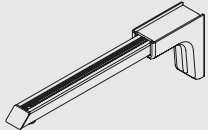
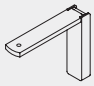
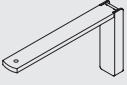

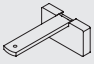
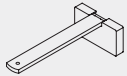
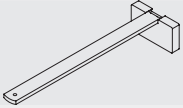
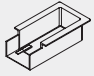


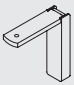
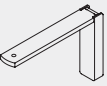

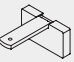
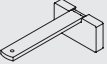
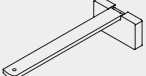
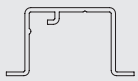
11154 Universal Smart Fix, 120 mm set



11155 Universal Smart Fix, 150 mm set



11156	Universal Smart Fix, 200 mm set	
11201	Smart Fix, 80 mm set	
11203	Smart Fix, 120 mm set	
11205	Smart Fix, 200 mm set	
11211	Square Smart Fix, 80 mm set	
11213	Square Smart Fix, 120 mm set	
11215	Square Smart Fix, 200 mm set	
11238	Recess Mask	

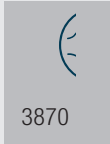
11200	Smart Fix, 60 mm set	
11202	Smart Fix, 100 mm set	
11204	Smart Fix, 150 mm set	
11210	Square Smart Fix, 60 mm set	
11212	Square Smart Fix, 100 mm set	
11214	Square Smart Fix, 150 mm set	
11230	Recess profile	

Wave Accessories

6007	Endstop	
6349	Curtain tape	
6364	Extension	
10075	Lead weight 50 gr/m	
11302	Wave 2C glider cord 80 mm	

6099	Wave roller glider cord (80mm)	
6363	Top hemming tape	
6365	Hanger	
10076	Fabric weight	
11303	Wave 2C glider cord 60 mm	

3870



3870



thehomeofinteriors.co.uk

The Design Hub
41 Brookley Road
Brockenhurst, Hampshire
SO42 7RB
sales@thehomeofinteriors.co.uk
Tel: 01590 615775

www.silentgliss.co.uk

www.silentglissglobal.com

Silent Gliss Ltd
Pyramid Business Park
Poorhole Lane
Broadstairs
Kent
CT10 2PT
Great Britain

Tel: +44 (0) 1843 863571
Fax: +44 (0) 1843 864503
info@silentgliss.co.uk

Silent Gliss Global Ltd
Pyramid Business Park
Poorhole Lane
Broadstairs
Kent
CT10 2PT
Great Britain

Tel: +44 (0) 1843 874250
Fax: +44 (0) 1843 874457
info@silentglissglobal.com