

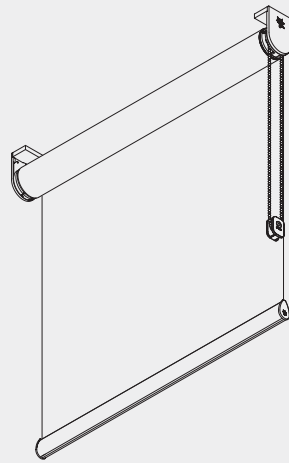
Roller Blind Systems





Chain Operated Roller Blind System

Silent Gliss® 4930

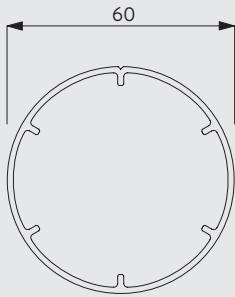


Product Information

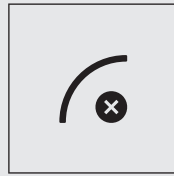
- Chain operated
- Smooth operation with unique planetary gear
- Easy installation with click-in brackets
- Bracket covers for neater appearance
- Corresponds to safety norms EN 13120, EN 16433 and EN 16434 - safety retainer included
- Ceiling, wall or recess fitting
- Options: connected double system with one drive, side-guides, installation profile

4930

Profile and Bending Information



11037



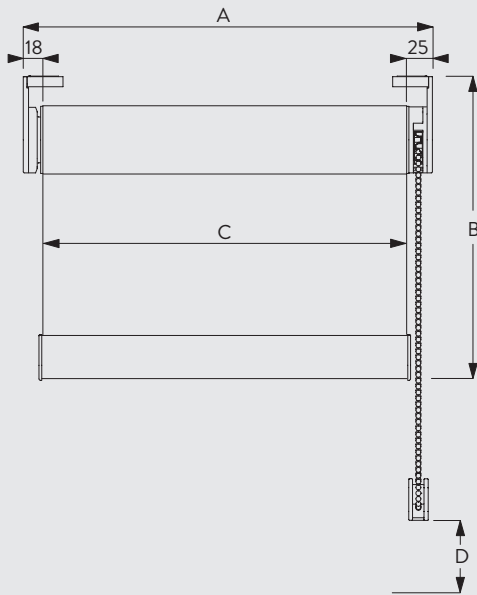
Cannot be bent

Specification Guide - download from www.silentgliss.co.uk (password required).

Silent Gliss chain operated roller blind system for medium to medium/heavy weight fabric applications with unique planetary gear with integrated brake to ensure smooth operation and exact stopping with no slippage. Fixed to wall/ceiling/inside recess with 11172 brackets with top and side covers to ensure neat appearance. Optional installation profile 1181 with clamps 11180. Optional side guide wires. Side by side connected system 4930 can be operated simultaneously by one chain, fitted with 11183 connecting bolt and 11195 connecting adapter set.

How To Measure

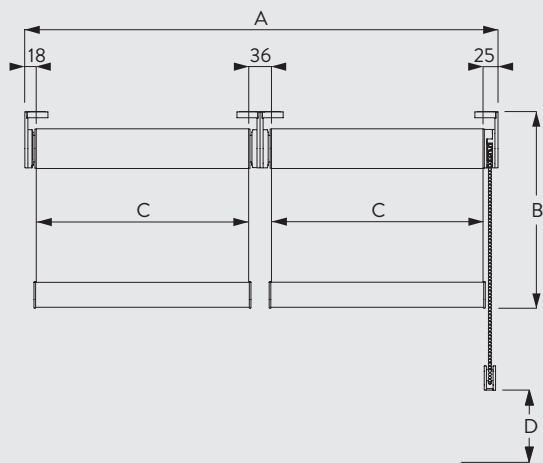
Measurement Information: Single System



- A: system width
- B: system drop
- C: fabric width
- D: Safety Retainer 10400 min. 150 cm above floor

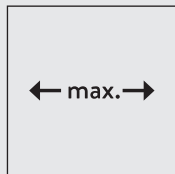
4930

Measurement Information: Double (connected) System



A: system width
 B: system drop
 C: fabric width
 D: Safety Retainer 10400 min. 150 cm above floor

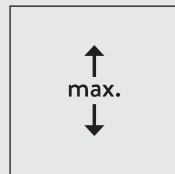
System Dimensions



Single system: 3.4 m
 Double system: 6.8 m



65 cm



5 m



*Single system: 17 m²
 *Double system: 30 m²

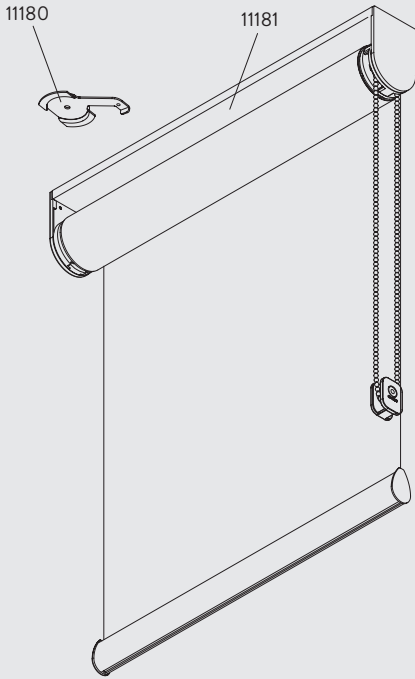


Single system: 7 kg
 Double system: 7 kg

*Max. m² depends on fabric type

Fitting Information

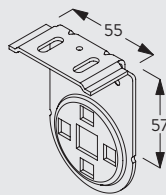
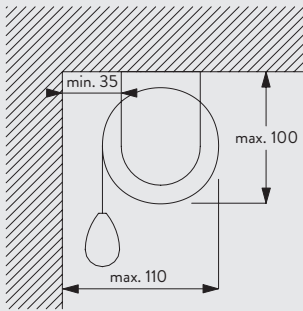
Alternative fixing with installation profile (optional)



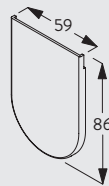
Fitting Options

Ceiling fitting with brackets

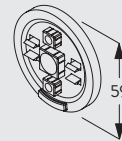
4930



11172
Bracket



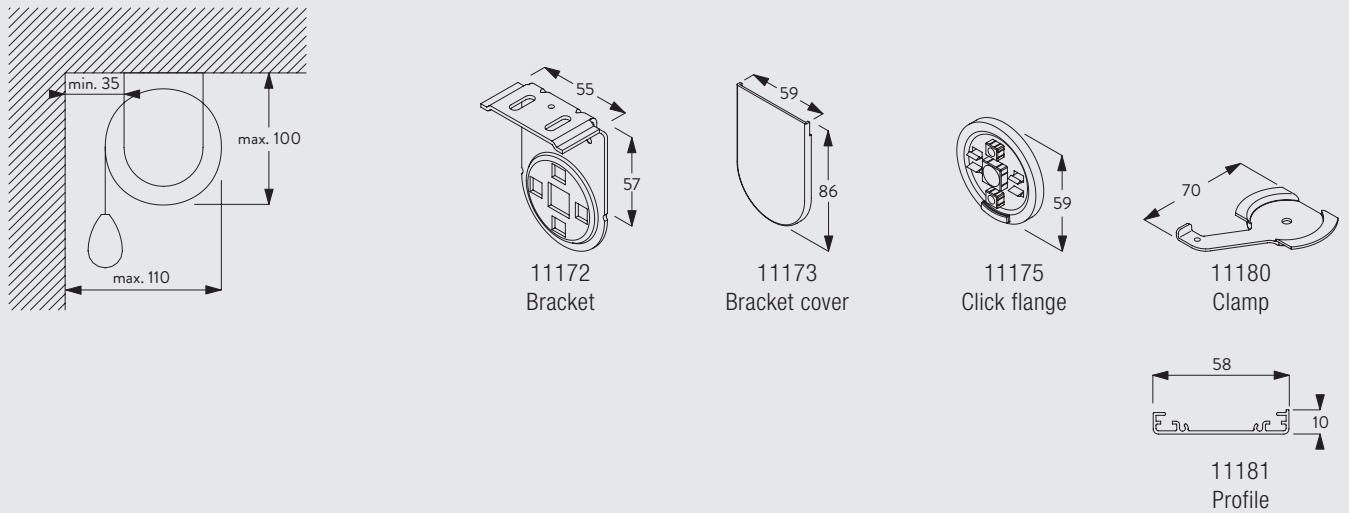
11173
Bracket cover



11175
Click flange

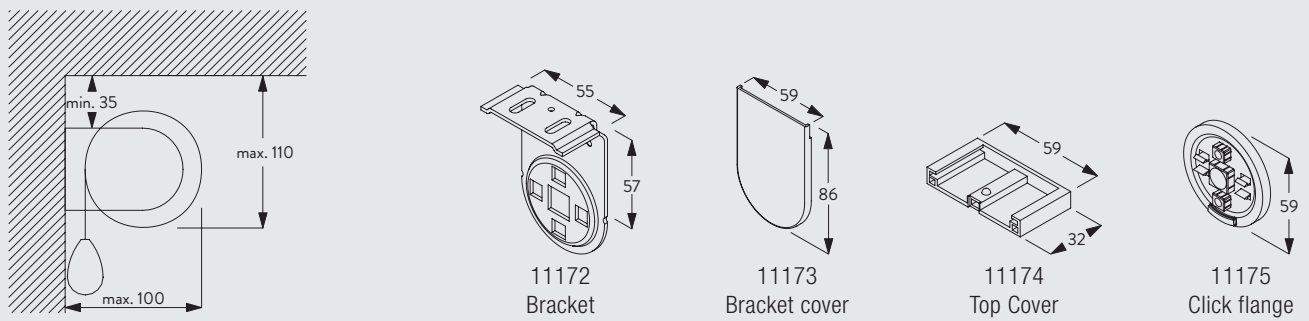
All dimensions are based on the maximum system sizes and a fabric thickness of 0.8mm.

Ceiling fitting with installation profile (option) and clamp 11180



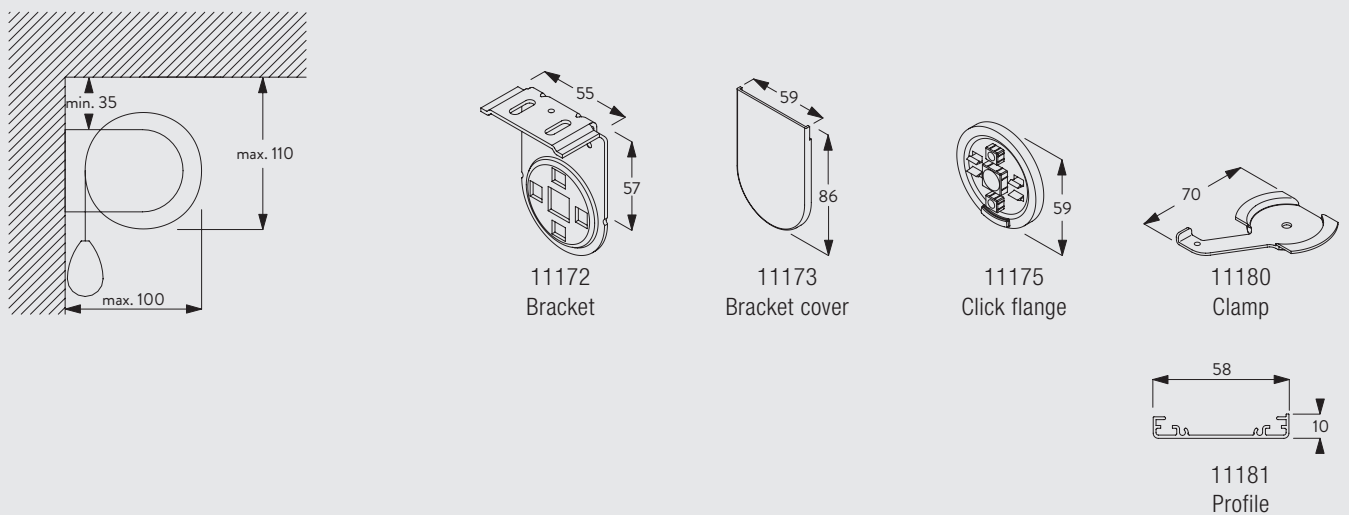
All dimensions are based on the maximum system sizes and a fabric thickness of 0.8mm.

Wall fitting with brackets



All dimensions are based on the maximum system sizes and a fabric thickness of 0.8mm.

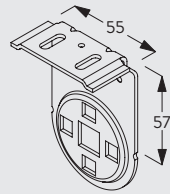
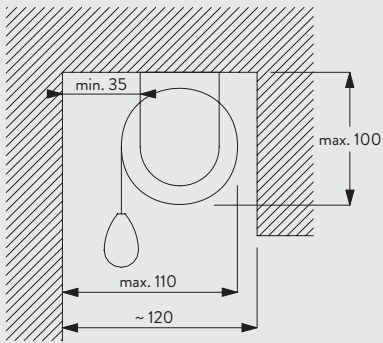
Wall fitting with installation profile (option) and clamp 11180



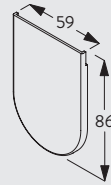
All dimensions are based on the maximum system sizes and a fabric thickness of 0.8mm.

4930

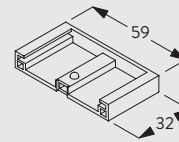
Recess fitting with brackets



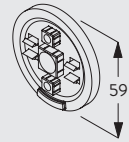
11172
Bracket



11173
Bracket cover



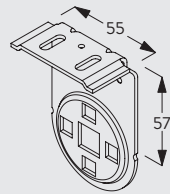
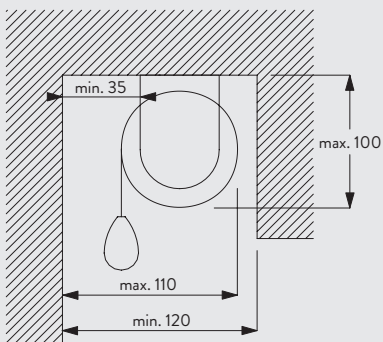
11174
Top Cover



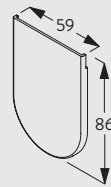
11175
Click flange

All dimensions are based on the maximum system sizes and a fabric thickness of 0.8mm.

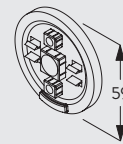
Recess fitting with installation profile (option) and clamp 11180



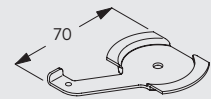
11172
Bracket



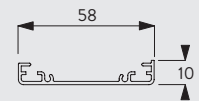
11173
Bracket cover



11175
Click flange



11180
Clamp



11181
Profile

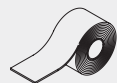
All dimensions are based on the maximum system sizes and a fabric thickness of 0.8mm.

Standard Accessories

4223 Plastic strip 14 mm



4226 Standard adhesive tape



4845 Metal bead chain (stainless steel or brass)



4903 Bottom bar



10400 Safety Cord Retainer



10962 Chain drive



11037 Profile tube, 60 mm



11165 Bearing

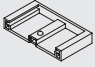


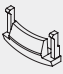


11172 Bracket

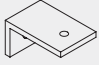

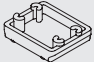


11173 Bracket cover



11174	Top Cover		11175	Click flange	
11178	Cover		11179	Cover	

Optional Accessories

3036	Bracket (47mm)		4944	Bottom bar endcover set	
4948	Wire rope (ø 1,5mm)		8249	Locking ring	
10498	Countersunk screw 2.9x9.5 DIN 7982C		10668	Strip (10mm)	
10993	Bottom weight		11180	Clamp	
11181	Profile		11182	Wire holder	
11183	Connecting bolt		11184	Bracket cover drilled	
11195	Connecting adapter set		11197	End cover	
11311	Bracket spacer				

4930

www.silentgliss.co.uk

www.silentglissglobal.com

Silent Gliss Ltd
Pyramid Business Park
Poorhole Lane
Broadstairs
Kent
CT10 2PT
Great Britain

Tel: +44 (0) 1843 863571
Fax: +44 (0) 1843 864503
info@silentgliss.co.uk

Silent Gliss Global Ltd
Pyramid Business Park
Poorhole Lane
Broadstairs
Kent
CT10 2PT
Great Britain

Tel: +44 (0) 1843 874250
Fax: +44 (0) 1843 874457
info@silentglissglobal.com