

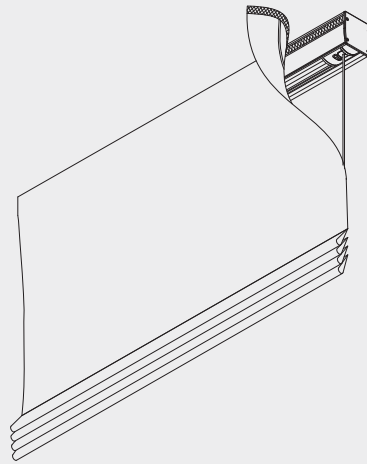
# Roman Blind Systems





## Motorised Roman Blind System

# Silent Gliss® 2350



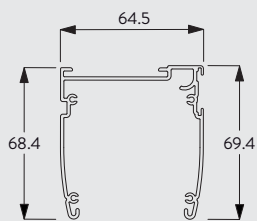
### Product Information

- Electrically operated Roman blind system for residential and contract applications.
- Very elegant appearance
- A revolutionary cord release mechanism combined with velcro tape fixing makes maintenance and cleaning of fabric very easy
- Maximum dimensions are 6m for the width, and 6 m for the height
- The weight of the blind including the bottom weight and cross rods (if hard fold) can go up to 15kg
- Easy ceiling or wall fix to all surfaces
- Motor concealed in headbox
- Can be operated by fixed switch or Silent Gliss radio control system 9940/0450
- Optional Smart motor to allow integration and control by most major home control systems
- Compliant with Child Safety Legislation (EN13120)

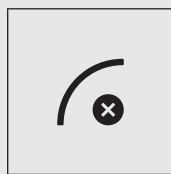
2350

## Profile, Bending and Specification Information

### Cassette

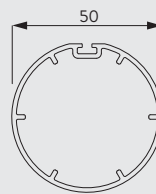


2351

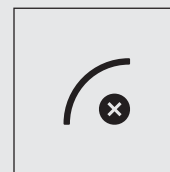


Cannot be bent

### Winding Tube



2352

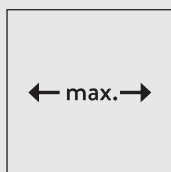


Cannot be bent

Specification Guide - download from [www.silentgliss.co.uk](http://www.silentgliss.co.uk) (password required).

Silent Gliss 2350 electrically operated Austrian/Roman blind system ready-assembled in aluminium headbox 2351 complete with winding tube 2352, lift cord 2216 and cord release mechanism 2353/2354. Ceiling/face fix using universal bracket 2363 at 80cm centres.

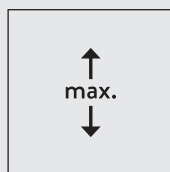
## System Dimensions



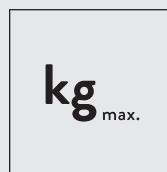
6 m



See below:



6 m



15 kg

Minimum Width:

- Series 20 / Series 40 LV / Smart 60cm
- Series 40 Mains: 82cm

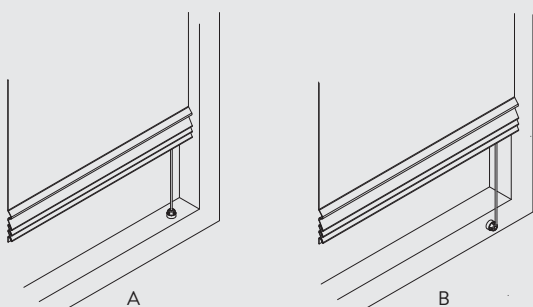
Maximum Weight:

Will depend on the total fabric weight including the bottom weight bar and the cross rods (if hard fold)

2350

## System Option Side Guide (for hard fold only)

Side guides for stabilizing and sloping applications (up to 15°)



- A: Fitting of side guides inside window frame
- B: Fitting of side guides onto front of window frame

Fitting of side guides inside window frame or onto front of window frame. The system Silent Gliss 2350 can be equipped with side-guide wires (0776) and can therefore also be used for sloping applications up to 15° inclination.

## Fitting and Sewing information

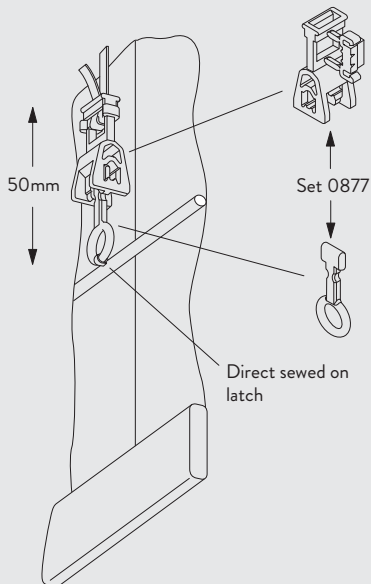
### WARNING

Young children can be strangled by loops in pullcords, chains, tapes and inner cords that operate the product. To avoid strangulation and entanglement, keep cords out of the reach of young children. Cords may become wrapped around a child's neck. Move beds, cots and furniture away from window covering cords. Do not tie cords together. Make sure cords do not twist to create a loop.

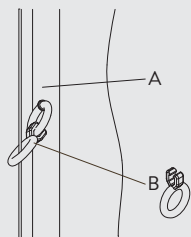
### Bracket Positioning



### Fixing of cords / tapes



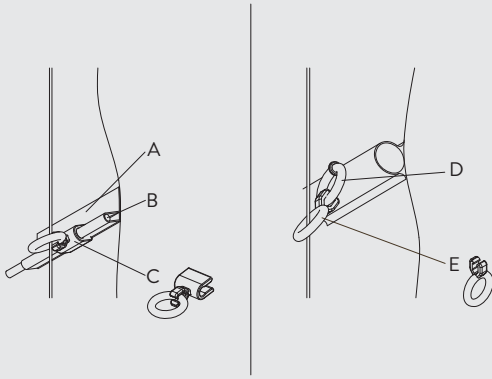
Using Breakaway Bottom Bar Set 0877



Soft fold:

- A: Breakaway Ring Tape Set 0879
- B: Set includes Child Safety Eyelet

Note: The Breakaway Ring Set is available without tape (part number 0878).



Hard fold:

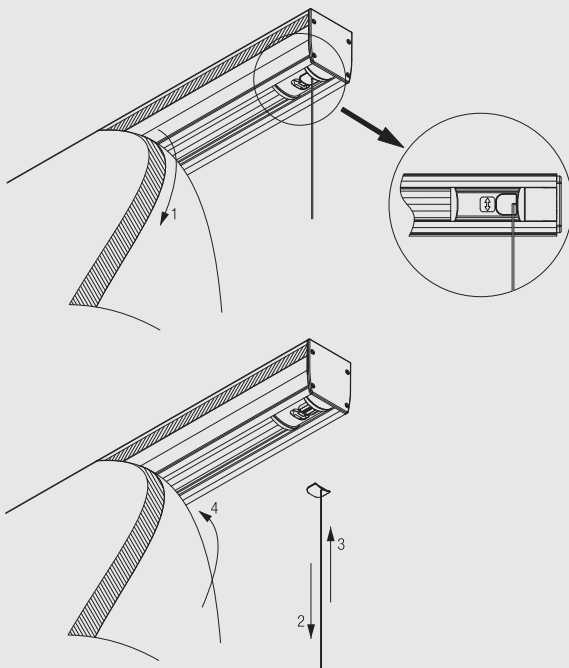
A: Tape 2136

B: Steel rod 2135

C: Child Safety Eyelet (hard fold) 3069

D+E: Breakaway Ring Set 0878

## Easy Washing / Easy Maintenance through Cord Release Mechanism



With the new developed cord release mechanism, taking down of the fabric becomes very easy.

1: Remove fabric from the hook and loop tape when the blind is in down position of blind

2: Take off the pins by pulling on the lift cord

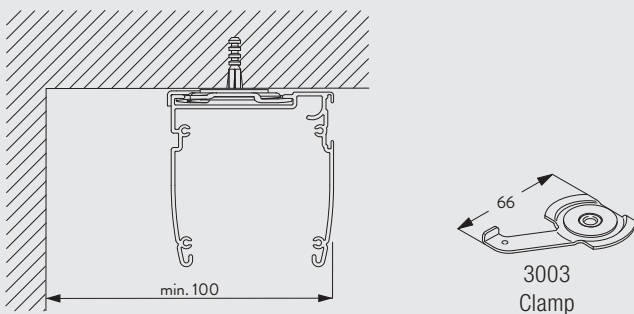
3: After washing, just press pins back to the shell

4: Refix fabric to the hook and loop tape on profile

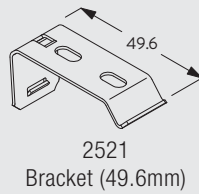
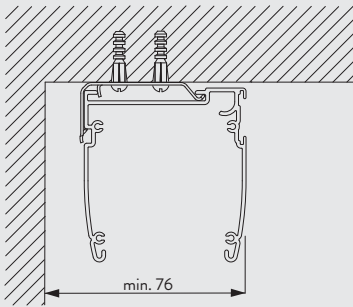
2350

## Fitting Options

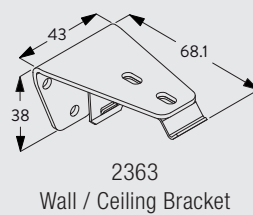
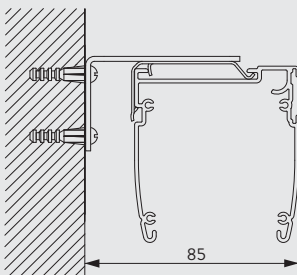
### Ceiling fitting with clamp 3003



## Ceiling fitting with bracket 2521

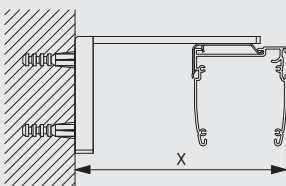


## Ceiling / Wall fitting with bracket 2363

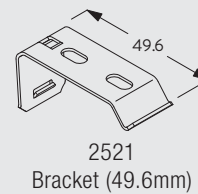
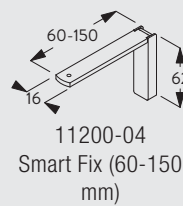


The ceiling fixing with the Bracket 2363 is according to the ceiling fixing with the Bracket 2521.

## Wall fitting with Smart Fix 11200-11204 and bracket 2521

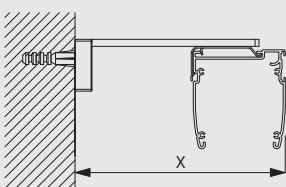


	X (mm)
11200	80-84
11201	100-104
11202	120-124
11203	140-144
11204	170-174

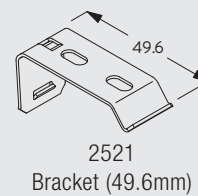
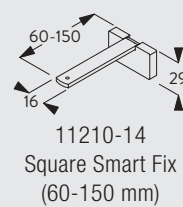


Brackets feature thread for screw SG 10395 (M4x6) for fixing bracket SG 2521.

## Wall fitting with Square Smart Fix 11210-11214 and bracket 2521

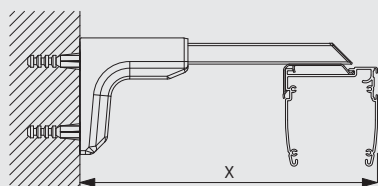


	X (mm)
112210	80-84
11211	100-104
11212	120-124
11213	140-144
11214	170-174

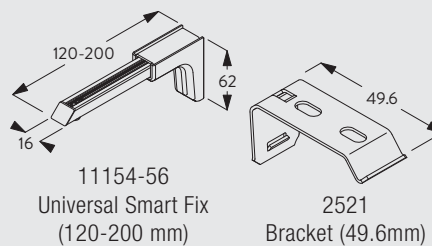


Brackets feature thread for screw SG 10395 (M4x6) for fixing bracket SG 2521.

## Wall fitting with Universal Smart Fix 11154-11156 and bracket 2521



	x (mm)
11154	134-162
11155	164-192
11156	214-242



Brackets feature thread for screw SG 10492 (M4x8) for fixing bracket SG 2521.

## Standard Accessories

2216	Cord		2221	Hook and loop tape	
2351	Profile		2352	Profile	
2353	Motor Cover		2354	Cover	
2355	Motor Adapter		2357	Pin	
2358	Shell		2359	Support	
2361	Adapter		2363	Wall / Ceiling Bracket	
2366	Motor drive		3003	Clamp	
9916	In-line connector - complete/no lead (was 0766)		10322	Motor 20-Series, 230V	
10522	Motor 20-Series, 230V				


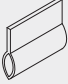

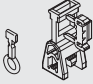

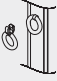
## Optional Accessories

0578	Pattress box		0615	Latching switch inc. pattress box	
0997	Motor Test Lead		2004	Bottom Bar	
2006	Bottom Bar		2362	Wire Holder	
2521	Bracket (49.6mm)		5736	Relay socket	

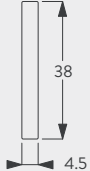
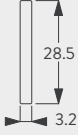


5741	Klik plug		5742	Klik socket	
8235	Wire base short		8236	Wire base long	
8237	Wire holder		8249	Locking ring	
11154	Universal Smart Fix, 120 mm set		11155	Universal Smart Fix, 150 mm set	
11156	Universal Smart Fix, 200 mm set		11200	Smart Fix, 60 mm set	
11201	Smart Fix, 80 mm set		11202	Smart Fix, 100 mm set	
11203	Smart Fix, 120 mm set		11204	Smart Fix, 150 mm set	
11210	Square Smart Fix, 60 mm set		11211	Square Smart Fix, 80 mm set	
11212	Square Smart Fix, 100 mm set		11213	Square Smart Fix, 120 mm set	
11214	Square Smart Fix, 150 mm set		11241	Motor 100-240V AC, 40-Series S 3/32, radio receiver	
11242	Motor 100-240V AC, 40-Series S 6/20, radio receiver		11244	Motor 24V DC, 40-Series S 3/32, radio receiver	
11245	Motor 24V DC, 40-Series S 6/20, radio receiver		11251	Smart motor 24V DC	
11252	Smart motor 24V DC, 50-Series S 6/20		11260	Smart controller gateway Cedia	
11261	Smart controller gateway KNX		11262	Smart expansion unit	
11263	Power supply 24V DC, 2 Ampere DIN Rail		11264	Power supply 24V DC, 3.8 Ampere DIN Rail	
11265	Power supply 24V DC, 5 Ampere DIN Rail		11266	Power supply 24V DC, 10 Ampere DIN Rail	
11281	Cabinet for 8 systems		11282	Cabinet for 24 systems	
11283	Cabinet for 56 systems		11325	Smart plug 6-pin, MC 1.5/6 ST-3.81	

## Sewing Accessories

2135	Steel rod		2136	Rod Tape	
3069	Breakaway rod cover (hard fold)		3164	Breakaway bottom bar set (was 0877)	
3165	Breakaway ring set for soft fold (was 0878)		3166	Breakaway ring tape for soft fold (was 0879)	

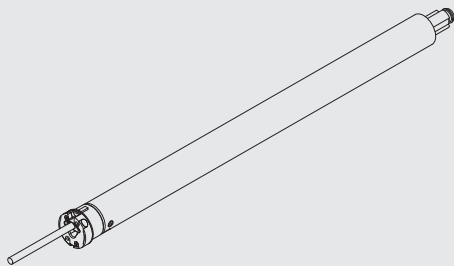
## Useful Measures

2004	Bottom Bar		2006	Bottom Bar	
------	------------	---	------	------------	---

## Motors & Controls

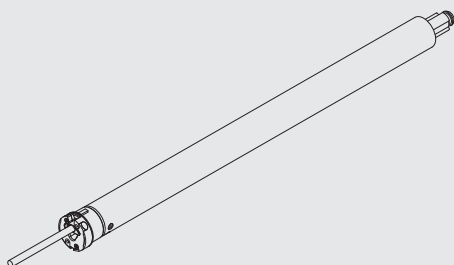
### Series 20 Motor Options

#### Motors Silent Gliss 10322 (20 Series)



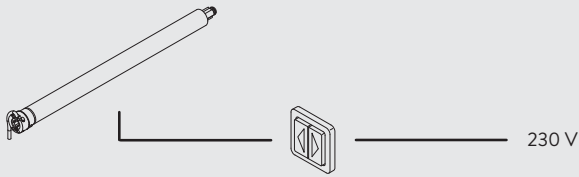
- Motor length: 545mm
- Voltage: 230V AC
- Torque: 5Nm
- Speed: 30rpm
- Frequency: 50Hz
- Power: 180W
- Current: 0.80A
- Thermal Overload Protection
- CE Standard
- Cable pluggable
- Max. Weight Capacity: 15kg

#### Motors Silent Gliss 10522 (20 Series)



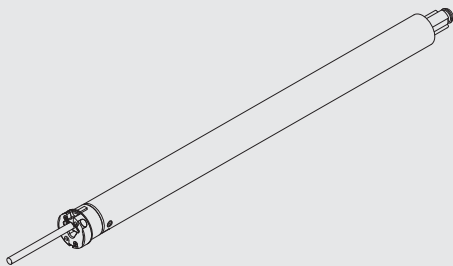
- Motor length: 545mm
- Voltage: 230V AC
- Torque: 3Nm
- Speed: 30rpm
- Frequency: 50Hz
- Power: 135W
- Current: 0.60A
- Thermal Overload Protection
- CE Standard
- Cable pluggable
- Max. Weight Capacity: 7.5kg

Operation is via fixed switch with motor 10322/10522



## Series 40 Motors

### Motors 11241/11242/11244/11245



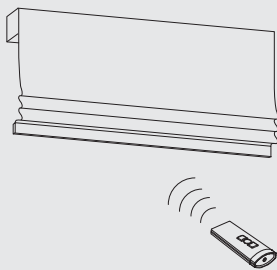
- Motor 11241: Length 756mm
- Motor 11241: 100-240V supply
- Motor 11241: Torque 3Nm
- Motor 11241: Speed 32rpm maximum (adjustable)
- Motor 11242: Length 756mm
- Motor 11242: 100-240V supply
- Motor 11242: Torque 6Nm
- Motor 11242: Speed 20 rpm maximum (adjustable)
- Motor 11244: Length 485mm
- Motor 11244: 24V DC supply
- Motor 11244: Torque 3Nm
- Motor 11244: Speed 32rpm maximum (adjustable)
- Motor 11245: Length 485mm
- Motor 11245: 24V DC supply
- Motor 11245: 6Nm
- Motor 11245: 20 rpm maximum (adjustable)

All Series 40 motors feature:  
- Dry contact control  
- Integrated 9940 radio receiver

### Operation Methods

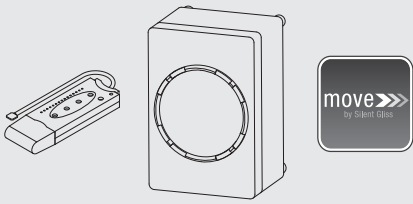
Can be operated via a fixed wall switch.

### Radio Remote Control System Silent Gliss 9940



All Series 40 motors include an integrated receiver for use with Silent Gliss 9940 radio control system.

## Silent Gliss App “Move”



System 2350 with Radio Control 9940 can be controlled with the Silent Gliss app “Move” through a smartphone, tablet or desktop.

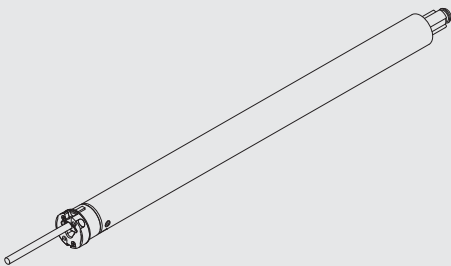
Whether at home or on the road, this reliable and intuitive app allows you to program automatic opening and closing times. Furthermore, automatic sunrise and sunset/groups/mood programming is possible.

The app is available for Android, IOS and Windows and can be downloaded in the respective app stores. Additionally, Move Server Set Silent Gliss 9960 is required.

For further details, please refer to product group “Motors & Controls”.

## Motor Silent Gliss 11251/11252 (Smart)

Smart motor to allow integration and control by most major home control systems



- Motor 11251: Length 485mm
- Motor 11251: 24V DC
- Motor 11251: Torque 3Nm
- Motor 11251: Speed 32rpm maximum (adjustable)
- Motor 11252: Length 485mm
- Motor 11252: 24V DC
- Motor 11252: Torque 6Nm
- Motor 11252: Speed 20rpm maximum (adjustable)

## Wiring and Connections

**Important:** Wiring diagrams are available from [www.silentgliss.co.uk](http://www.silentgliss.co.uk) (password required). Please contact Silent Gliss for information on access.





2350



[www.silentgliss.co.uk](http://www.silentgliss.co.uk)  
[www.silentglissglobal.com](http://www.silentglissglobal.com)

Silent Gliss Ltd  
Pyramid Business Park  
Poorhole Lane  
Broadstairs  
Kent  
CT10 2PT  
Great Britain

Tel: +44 (0) 1843 863571  
Fax: +44 (0) 1843 864503  
[info@silentgliss.co.uk](mailto:info@silentgliss.co.uk)

Silent Gliss Global Ltd  
Pyramid Business Park  
Poorhole Lane  
Broadstairs  
Kent  
CT10 2PT  
Great Britain

Tel: +44 (0) 1843 874250  
Fax: +44 (0) 1843 874457  
[info@silentglissglobal.com](mailto:info@silentglissglobal.com)