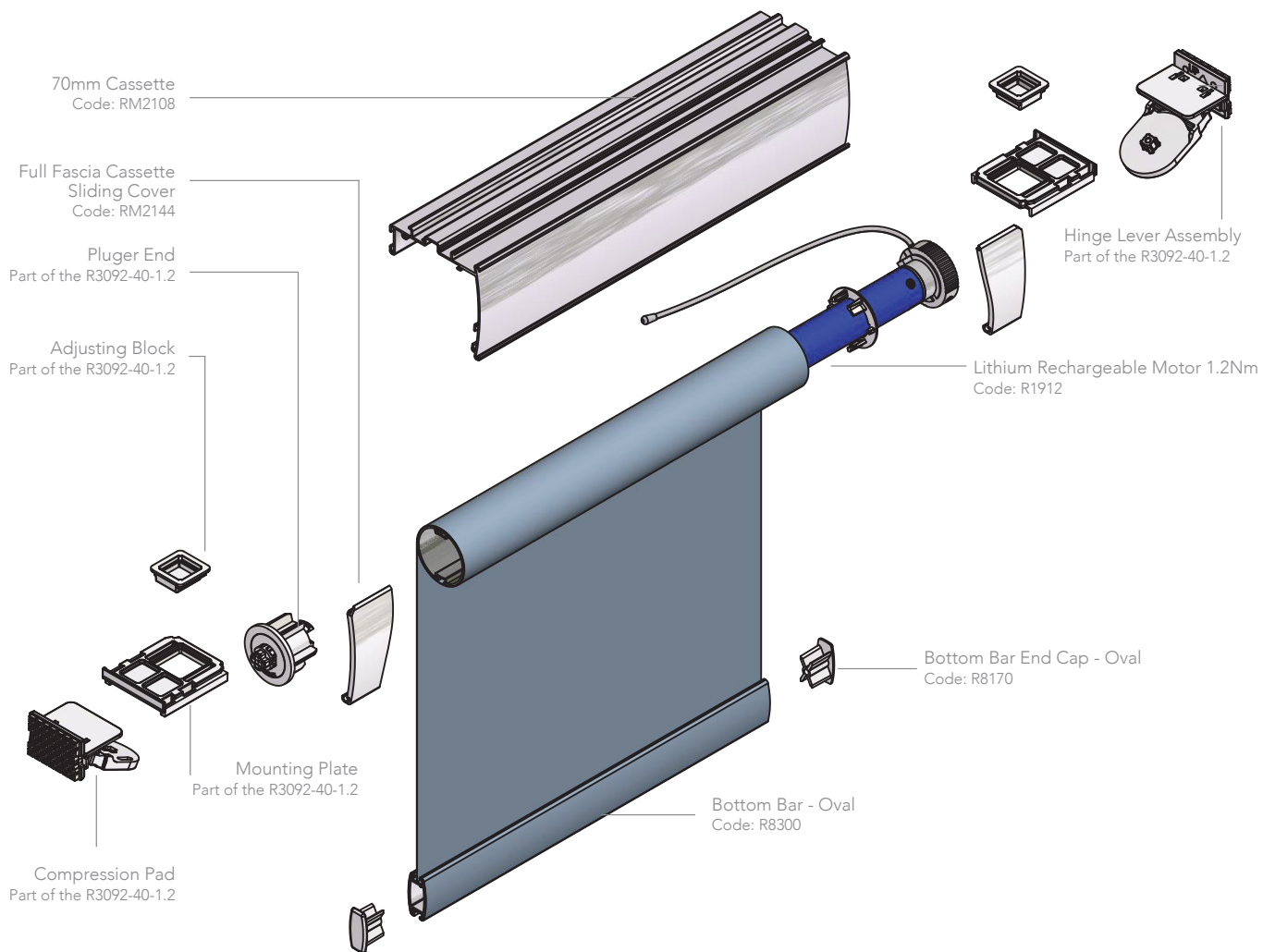
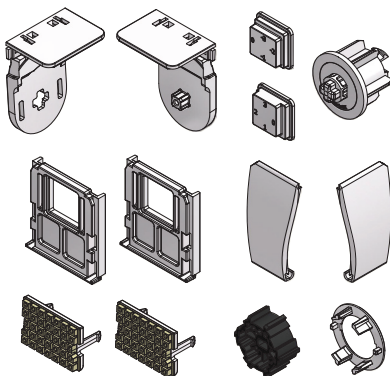


SYSTEM 40® GRIP FIT WITH LITHIUM RECHARGEABLE BATTERY 1200 SERIES



GRIP FIT™ 40mm MOTOR PACK R3092-40-1.2



- Operate blinds effortlessly and economically with the Louvolite One Touch® Lithium rechargeable 1200 Series Motor.
- Child safe by design. Set up to four limits to stop blind at your chosen height.
- Motorise with Louvolite One Touch™ Lithium Rechargeable Series. Using a 32mm tube, R3092-22-0.5-32 & R1905. Using a 35mm tube, R3092-35-1.2: & R1912 or R1912-SHORT.
- Colours available: white, black & anthracite grey.
- Touch blinds can be operated remotely via the app on a smart phone/tablet or by voice command with Amazon Echo, Google Home and Siri.
- Charge the Lithium motor with a 8.4v charger (4m cable) or with a solar panel charger (1.4m cable) which trickle charges the motor from daylight.
- Grip Fit™ blinds are quick and easy to install
- Ideal for the home, office or rented accommodation where drilling into walls might not be permitted.
- Leaves no damage to the window recess.
- Motor weight capacity of 3.5kg.

HARDWARE SPECIFICATION

Motorised Roller System

Our motorised roller blinds are manufactured using the specifically designed grooved aluminium tubing. The specified fabrics are formed and held into the tube with locking tape.

A spring plunger end mechanism is positioned at the opposite end to the motor plate, providing a more secure fit of the blind.

Performance

To ensure a positive performance, all Louvolite components are designed and

manufactured in the UK using prime quality plastic materials.

10 year life cycle testing is done to ensure long lasting performance.

Operation

Using motorised operation, all blinds must be compliant with the child safety elements of BS EN13120.

Bottom Bar

Oval, made of pvc, can be single or double wrapped in fabric or left exposed.

All fabric is formed and held into place with locking tape.

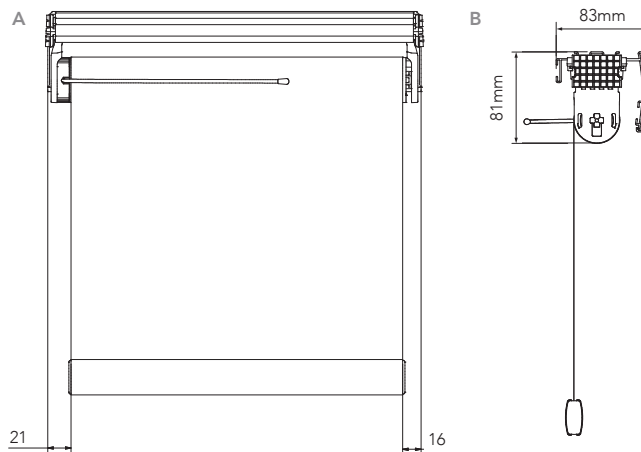
Maintenance

All of the roller blind system components are manufactured using aluminium, treated steel and plastic. They do not present any corrosion problems in normal environments. The system has been designed for a smooth operation, together with a rigidity to prolong the window blind's working life. Manufacturing size restrictions are included in this specification brochure.

SYSTEM 40[®] MOTORISED GRIP FIT - ASSEMBLED DIMENSIONS

A System 40[®] Motorised Grip Fit[®] Front View

B System 40[®] Motorised Grip Fit[®] Side View



MAX BLIND SIZE

Motor	Tube Size	FABRIC GROUP	BLIND WIDTH (m) FOR BLIND DROP (m) (Max deflection 6mm)					40HD TUBE
			0.5	1.0	1.5	2.0	2.5	
500 ONLY	32 [®]	up to 200g/m sq	3.0	3.0	3.0	2.0		
		200 > 320g/m sq	2.0	2.0	2.0	1.9		
		320 > 485g/m sq	2.0	2.0	1.85	1.25		
1200, 1200-SHORT	35 [®]	up to 200g/m sq	3.0	3.0	3.0	2.0		
		200 > 320g/m sq	2.0	2.0	2.0	2.0		
		320 > 485g/m sq	2.0	2.0	2.0	1.5		
1200, 1200-SHORT	40 [®]	up to 200g/m sq	5.0	5.0	5.0	5.0	5.0	5.0
		200 > 320g/m sq	4.0	4.0	4.0	4.0	4.0	3.75
		320 > 485g/m sq	5.0	5.0	5.0	3.55	2.7	2.1

For the most up-to-date information view the online pdf at www.louvolitecommercial.com/systems/

Your Louvolite Grip-Fit Distributor:



CI/SIB 1976 reference by SIB Agency		
(76.7)	X	