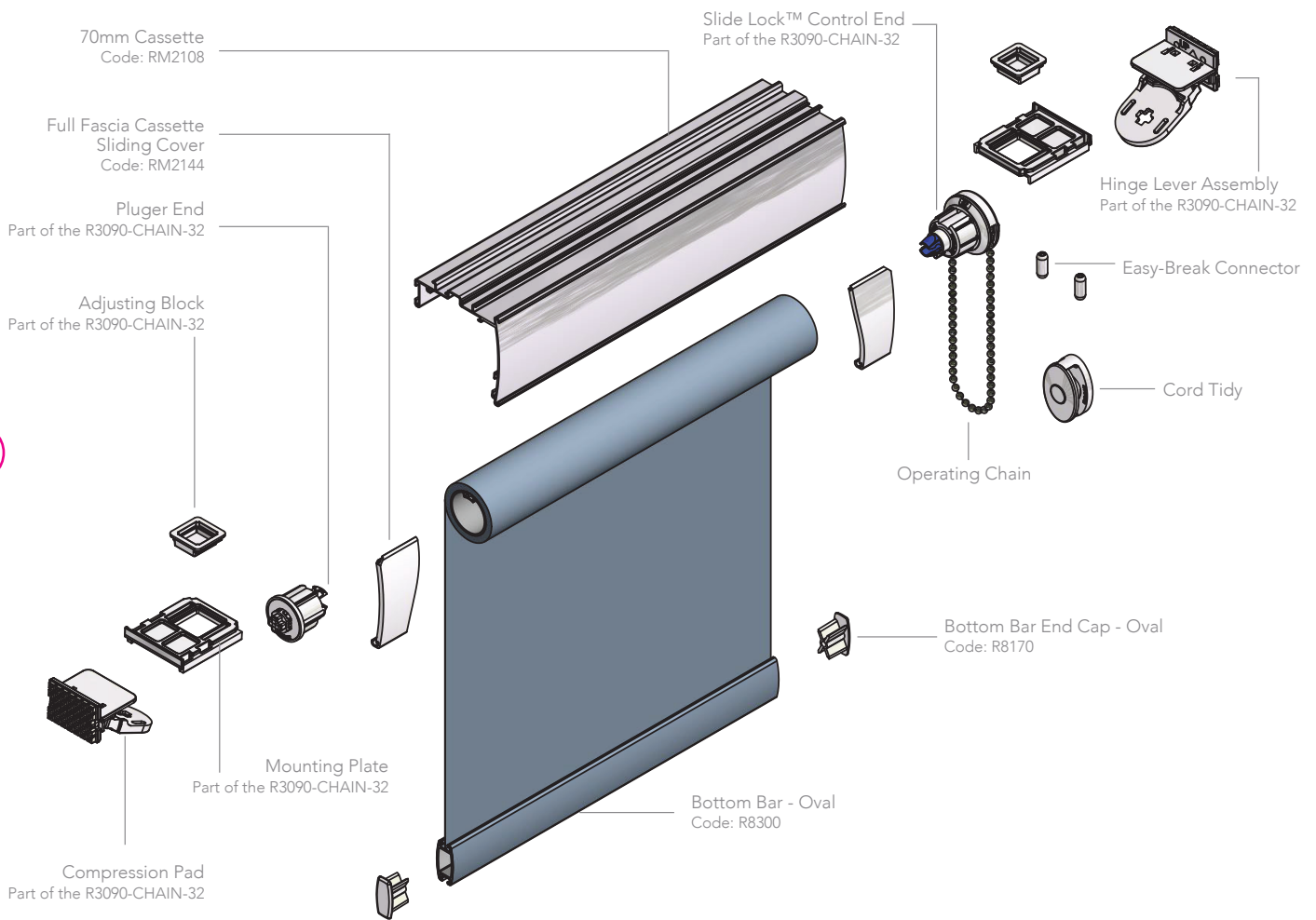
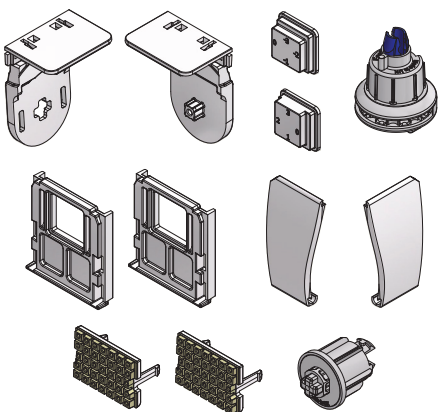


SYSTEM 32® GRIP FIT WITH CHAIN CONTROL



GRIP FIT™ 32mm SIDE CONTROL SET R3090-CHAIN-32



- Designed and manufactured in the UK, all Louvolite systems are 10 year life cycle tested to ensure long lasting performance.
- System 32® Slide-Lock® combines heavier holding weights with anti-fray features that ensure enhanced blind performance.
- Manufactured using high quality engineering grade polymer.
- Improved chain location for quick and easy on-site adjustment. Motorise with Louvolite One Touch™ Lithium Rechargeable Series. Using a 32mm tube, R3092-22-0.5-32 & R1905. Using a 35mm tube, R3092-35-1.2: & R1912 or R1912-SHORT.

- Colours available: white, black & anthracite grey.
- Grip Fit™ blinds are quick and easy to install
- Ideal for the home, office or rented accommodation where drilling into walls might not be permitted.
- Leaves no damage to the window recess.

HARDWARE SPECIFICATION

System 32® Roller System

Our roller blinds are manufactured using the Louvolite System 32® roller blind mechanism with specifically designed grooved 32mm aluminium tubing. The specified fabrics are formed and held into the tube with locking tape. The side control units, manufactured in the UK, are made from glass filled Nylon 6, with an acetal sprocket and sprocket guard.

The operating chain, No. 10 size in plastic, ensures reliable performance, and improved chain location enables quick and easy on-site adjustment.

A spring plunger end mechanism is positioned at the opposite end to the control unit, providing a more secure fit of the blind and smooth operation.

Performance

To ensure a positive performance, all Louvolite Roller System units are designed and manufactured in the UK using prime quality plastic materials and a dedicated steel locking spring. The sidewinders will lock into the bracket with the unique bracket securing pin for safety after installation.

10 year life cycle testing is done to ensure long lasting performance. The units will accept both metal or plastic operating chain providing reliable smooth operation.

Operation

Using manual operation, all blinds must be compliant with the child safety elements of BS EN13120. Where children may be present, the chain

must be fitted with easybreak connectors or cord tidy devices.

Bottom Bar

Oval, made of aluminium or pvc, can be single or double wrapped in fabric or left exposed. All fabric is formed and held into place with locking tape.

Maintenance

All of the System 32® roller blind system components are manufactured using aluminium and plastic. They do not present any corrosion problems in normal environments. The system has been designed for a smooth operation, together with a rigidity to prolong the window blind's working life.

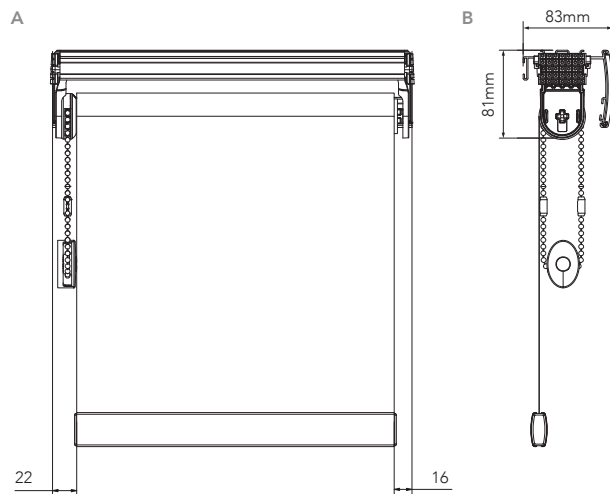
Cassette

The 70mm Full Fascia Cassette is specially designed and powder coated. On specification the user has the choice between a single coloured extrusion in dedicated colours or a fascia which incorporates the same fabric or contrasting fabric used on the roller blind.

SYSTEM 32® CHAIN CONTROL GRIP FIT - ASSEMBLED DIMENSIONS

A System 32® Chain Operation Grip Fit® Front View

B System 32® Chain Operation Grip Fit® Side View



LOUVOLITE SIDE CONTROL SYSTEMS MAXIMUM BLIND SIZE

SYSTEM	FABRIC GROUP	BLIND WIDTH (m) FOR BLIND DROP (m)				MAX HOLDING WEIGHT
		0.5	1.0	1.5	2.0	
System 32® Blue Pin	up to 200g/m sq	4.0	4.0	4.0	4.0	6lb (2.7kg) blind at 4mm deflection
	200 > 320g/m sq	3.0	3.0	3.0	3.0	
	320 > 485g/m sq	1.9	1.9	1.9	1.9	

For the most up-to-date information view the online pdf at www.louvolitecommercial.com/systems/

Your Louvolite System 32® Distributor:



CI/SIB 1976 reference by SIB Agency		
(76.7)	X	