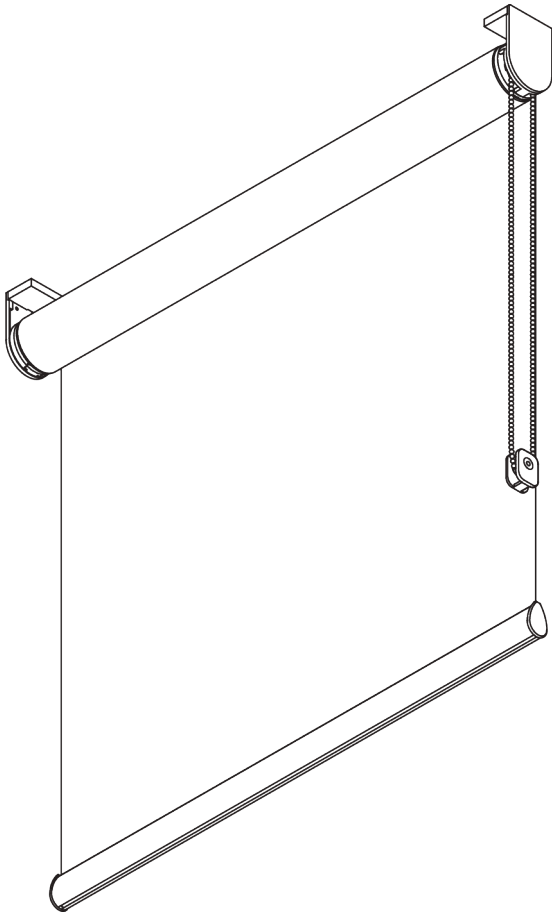
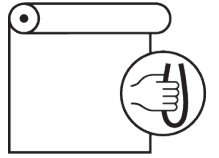


SG 4930



PRODUCT INFORMATION

- **Operation:** chain
- **Range:** M - L
- **Fitting:** ceiling, wall, recess
- **Colours:** white RAL 9016, grey RAL 7035, black RAL 9005; special colours possible
- **Fabrics:** refer to Silent Gliss fabric collection

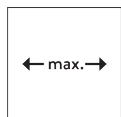
Features:

- 5-to-1 gear drive
- Stainless steel bead chain
- Two connected systems
- Click-in brackets
- Fascia, box, installation profile

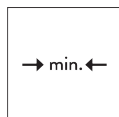
04/2021/V1

SYSTEM SPECIFICATIONS

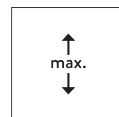
A. SYSTEM DIMENSIONS



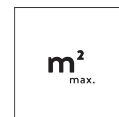
Single system: 3.4 m
Double system: 6.8 m



65 cm



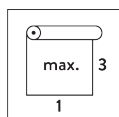
5 m



Single system: 17 m²
Double system: 30 m²



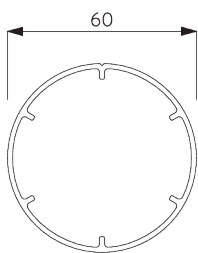
7 kg



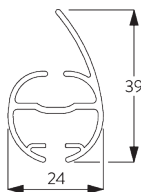
Recommended width /
height ratio
max. 1:3

B. PROFILE

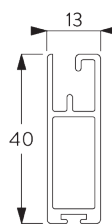
Profile information



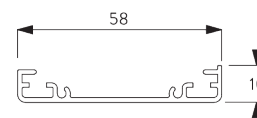
SG 11037
Tube ø 60 mm



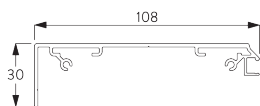
SG 4903
Bottom bar



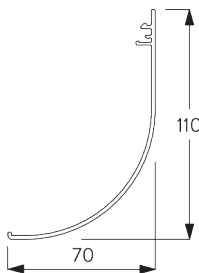
SG 10993
Bottom bar



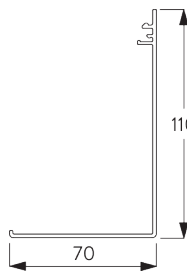
SG 11181
Installation profile



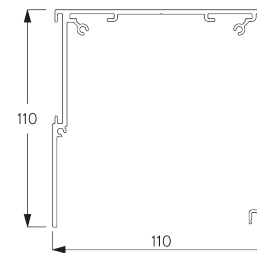
SG 11530
Installation profile fascia 110 mm



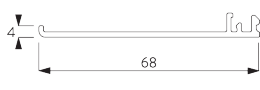
SG 11531
Fascia round 110 mm



SG 11532
Fascia square 110 mm



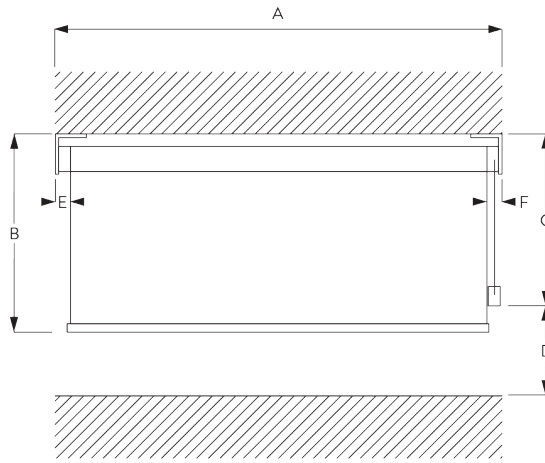
SG 11533
Box case 110 mm



SG 11534
Box cover 110 mm

**C. HOW TO
MEASURE**

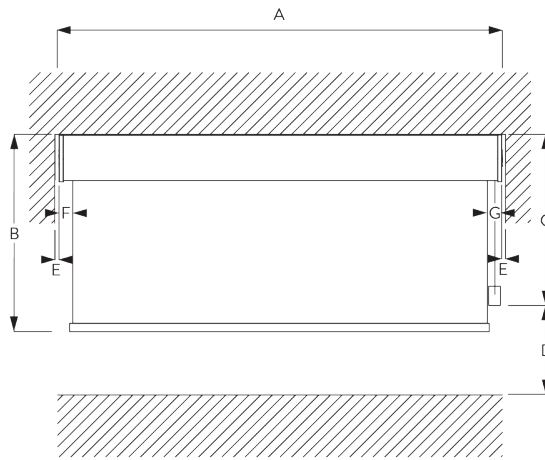
incl. bracket covers



- A: System width
- B: System height
- C: Chain height
- D: Safety Retainer SG 10731 min. 150 cm above floor
- E: Light gap: 18 mm
- F: Light gap operation side: 25 mm

Note:
All measurements include 2 mm for bracket cover per side!

Fascia / Box



- A: System width
- B: System height
- C: Chain height
- D: Safety Retainer SG 10731 min. 150 cm above floor
- E: Gap: min. 10 mm (when cover is used)
- F: Light gap: 20 mm
- G: Light gap operation side: 27 mm

FITTING

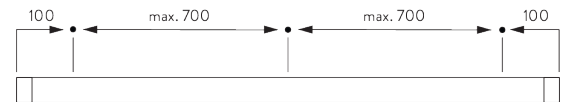
**A. FITTING
INFORMATION**

For detailed fitting information, visit the *Silent Gliss* website.

Fixing points

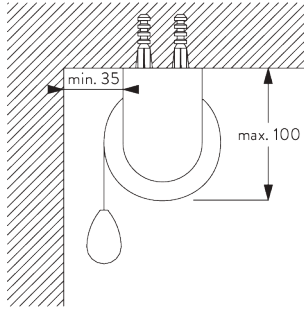


Brackets (wall / ceiling)

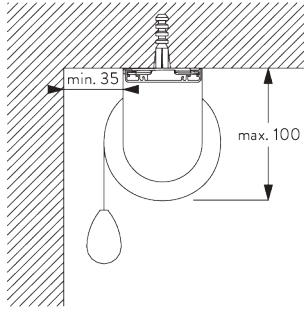


Fascia / box & installation profile SG 11181 (wall / ceiling)

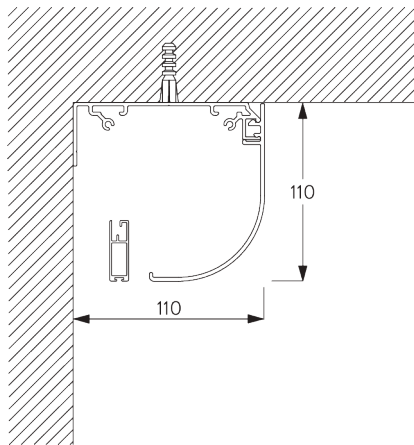
B. CEILING FITTING



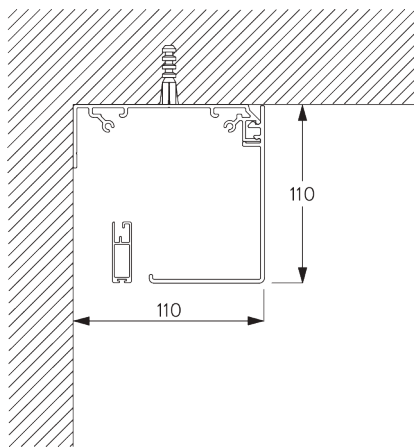
Brackets



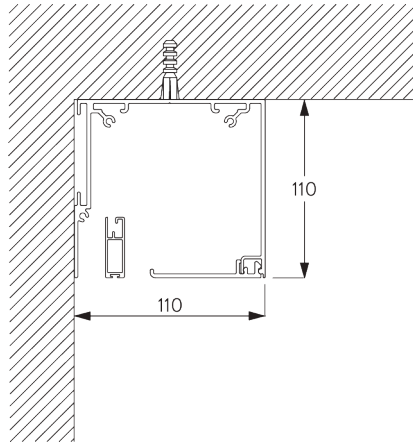
Installation profile SG 11181 and clamp SG 11180



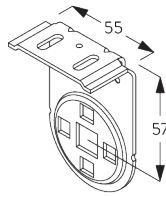
Fascia round



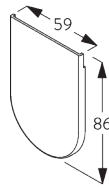
Fascia square



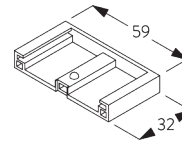
Box



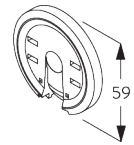
SG 11172
Bracket



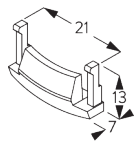
SG 11173
Bracket cover



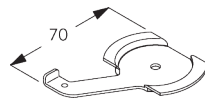
SG 11174
Bracket cover



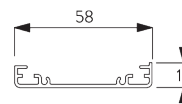
SG 11175
Click flange



SG 11179
Cover

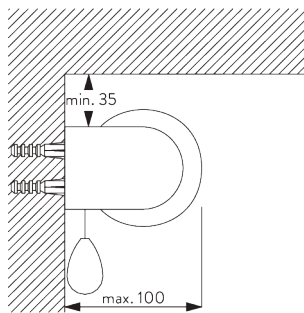


SG 11180
Clamp

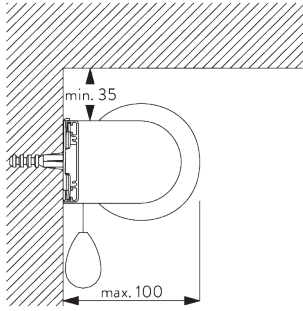


SG 11181
Installation profile

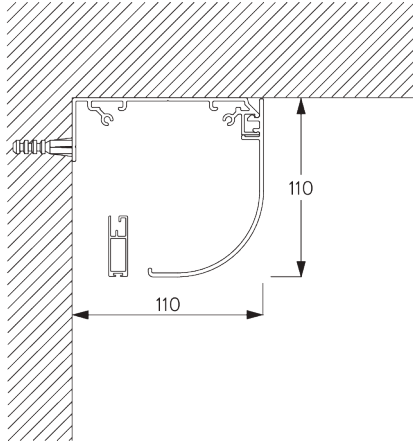
C. WALL FITTING



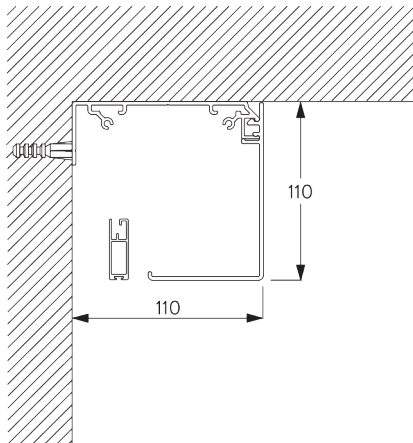
Brackets



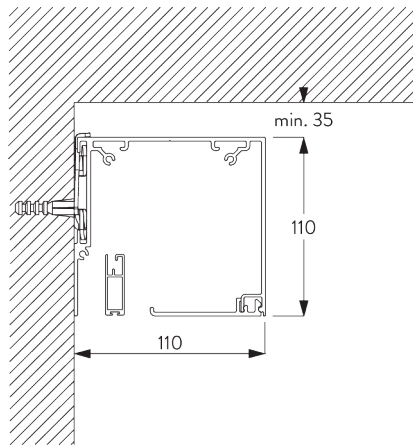
Installation profile SG 11181 and clamp SG 11180



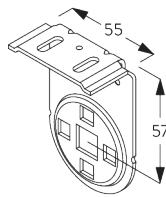
Fascia round



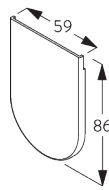
Fascia square



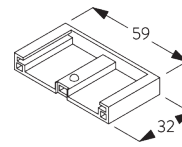
Box and clamp SG 11180



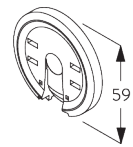
SG 11172
Bracket



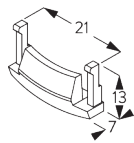
SG 11173
Bracket cover



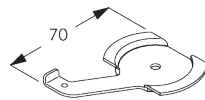
SG 11174
Bracket cover



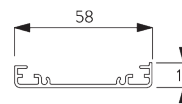
SG 11175
Click flange



SG 11179
Cover

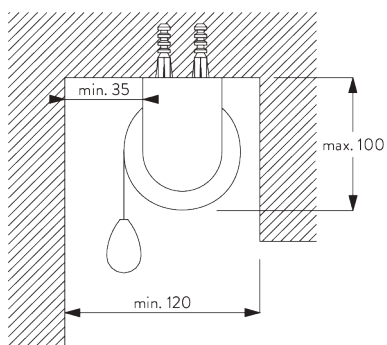


SG 11180
Clamp

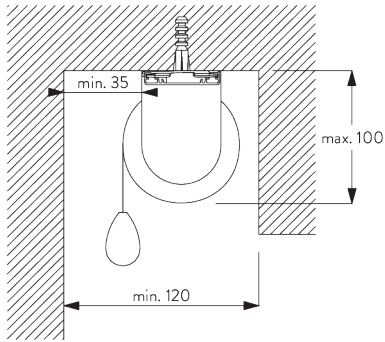


SG 11181
Installation profile

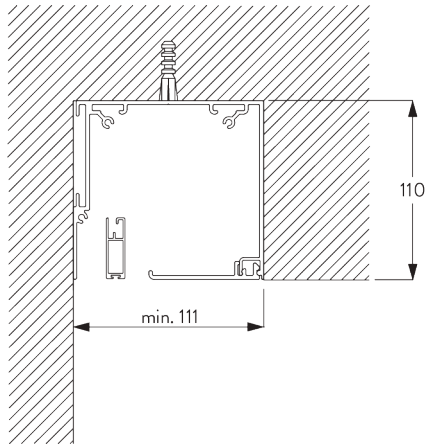
D. RECESS FITTING



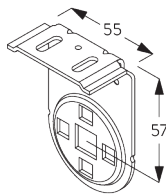
Brackets



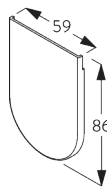
Installation profile SG 11181 and clamp SG 11180



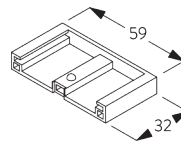
Box



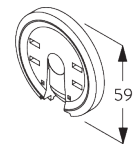
SG 11172
Bracket



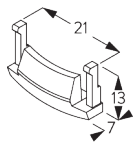
SG 11173
Bracket cover



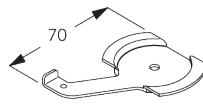
SG 11174
Bracket cover



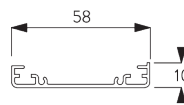
SG 11175
Click flange



SG 11179
Cover

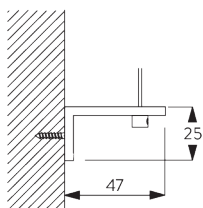


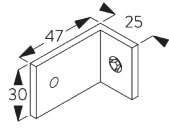
SG 11180
Clamp



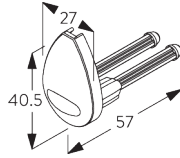
SG 11181
Installation profile

**E. FITTING WITH
SIDE GUIDE
OPTION**

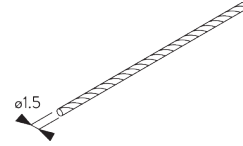




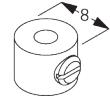
SG 3036
Bracket 47 mm



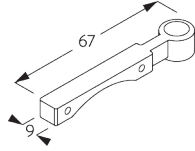
SG 4944
Side guide end cover



SG 4948
Side guide wire ø 1.5 mm



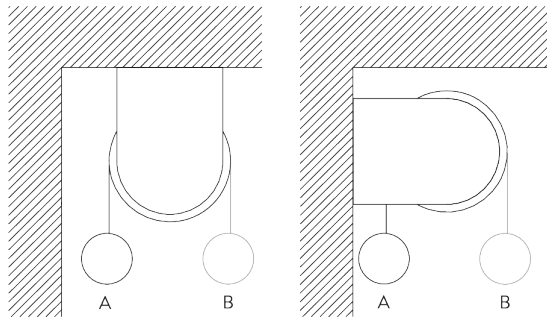
SG 8249
Side guide device



SG 11182
Side guide wire holder

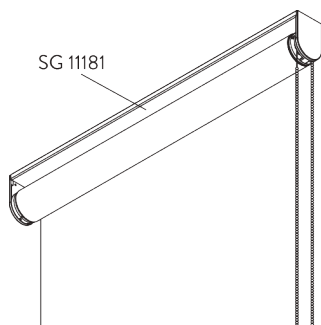
SYSTEM OPTIONS

A. FABRIC ROLL-OFF

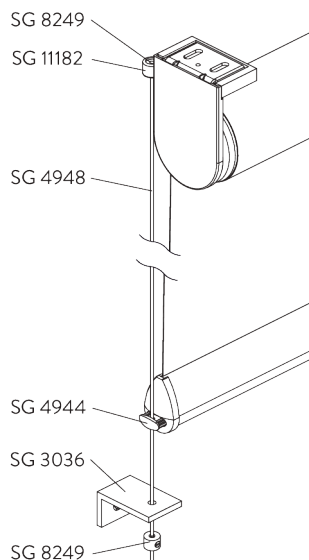


A: Fabric roll-off window side (standard)
B: Fabric roll-off room side (option)

B. INSTALLATION PROFILE



C. SIDE GUIDES



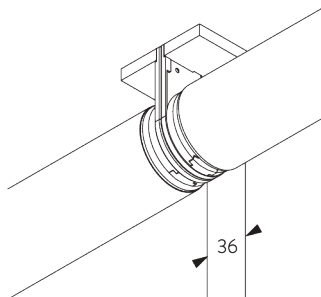
Additional parts:

- 2x SG 3036 Bracket
- 2x SG 4944 Side guide end cover
- 2x SG 4948 Side guide wire \varnothing 1.5 mm
- 4x SG 8249 Side guide device
- 2x SG 11182 Side guide wire holder

Note:

- Light gaps increase when side-guide option is used
- Up to 15° from vertical
- Only applicable with bottom bar SG 4903

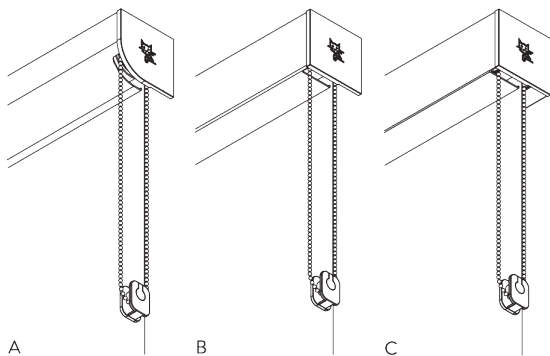
D. TWO CONNECTED SYSTEMS



Additional parts:

- 1x SG 11175 Click flange
- 1x SG 11183 Connecting bolt
- 2x SG 11184 Connection bracket cover
- 1x SG 11195 Connection tube adapter

E. FASCIA / BOX



A: Fascia round

B: Fascia square

C: Box

Size:

- 110 x 110 mm

Note:

- Only applicable with bottom bar SG 10993
- Not possible with connected systems

GENERAL NOTES

Dimensions

- Measurements are in mm except where indicated.
- Max. kg relates to fabric incl. accessories (bottom bars, etc.).

Fitting

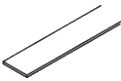
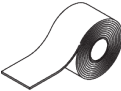




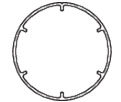
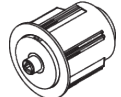


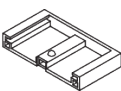


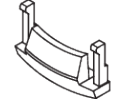
- Installation by qualified fitter only.
- Number of brackets and fitting positions / fixing points vary depending on fitting surface, system weight, fabric make-up, screw / fixing type and obstacles.
- Qualified fitter must use appropriate screws / fixings for each situation.
- Profile lip if applicable to be installed to room side.
- Electrical installations must be carried out according to Silent Gliss wiring diagrams and conform to local regulations.
- Check space for cables and plugs!

Child Safety

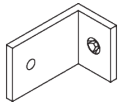
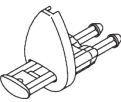

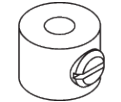
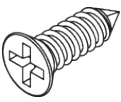

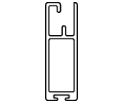

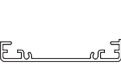
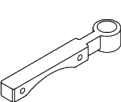
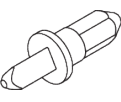

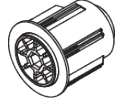

- All relevant Silent Gliss systems correspond to child safety EN 13120.
- All parties involved must comply with EN 13120.

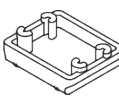



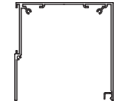




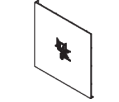

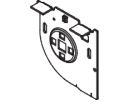

PARTS

A. STANDARD PARTS

	SG 4223 PVC strip 14 mm
	SG 4226 Double tape 30 mm
	SG 4845 Bead chain metal ø 4.5 mm
	SG 4903 Bottom bar
	SG 10731 Child safety retainer set
	SG 10962 Chain drive
	SG 11037 Tube ø 60 mm
	SG 11165 Tube adapter
	SG 11172 Bracket
	SG 11173 Bracket cover
	SG 11174 Bracket cover
	SG 11175 Click flange
	SG 11178 End cover
	SG 11179 Cover

B. OPTIONAL PARTS

	SG 3036 Bracket 47 mm
	SG 4944 Side guide end cover
	SG 4948 Side guide wire ø 1.5 mm
	SG 8249 Side guide device
	SG 10498 Countersunk screw 2.9x9.5
	SG 10668 PVC strip 10 mm
	SG 10993 Bottom bar
	SG 11180 Clamp
	SG 11181 Installation profile
	SG 11182 Side guide wire holder
	SG 11183 Connection bolt
	SG 11184 Connection bracket cover
	SG 11195 Connection tube adapter
	SG 11197 End cover

	SG 11311 Bracket spacer
	SG 11530 Installation profile fascia 110 mm
	SG 11531 Fascia round 110 mm
	SG 11532 Fascia square 110 mm
	SG 11533 Box case 110 mm
	SG 11534 Box cover 110 mm
	SG 11537 Bracket cover round left 110 mm
	SG 11538 Bracket cover round right 110 mm
	SG 11539 Bracket cover square left 110 mm
	SG 11540 Bracket cover square right 110 mm
	SG 11543 End cover
	SG 11544 Bracket left 110 mm
	SG 11545 Bracket right 110 mm