

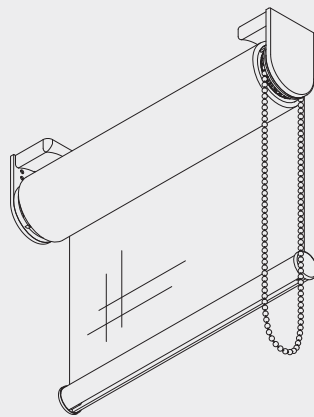
Roller Blind Systems





Chain Operated Roller Blind System

Silent Gliss® 4910



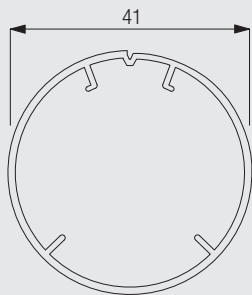
Product Information

- Silent and smooth chain operated roller blind system for residential and contract applications
- Effortless and elegant operation with stainless steel bead chain
- Blind can be stopped at any given position
- Easy ceiling, wall or recess fix
- Optional continuous installation profile in white as standard with easy click in brackets for fast fixing
- Optional adjustable end stop allows upper or lower limit setting after installation
- Side-by-side version with centre support bracket and minimal light gap
- Side guide option available
- Choice of bottom bar designs
- Optional metal design brackets with or without continuous headrail
- Optional stop controller mechanism halts the blind at any given position - ideal for very tall windows or contracts where all blinds must be at the same level from the outside
- Optional integral Child Safety Device



4910

Profile and Specification Information



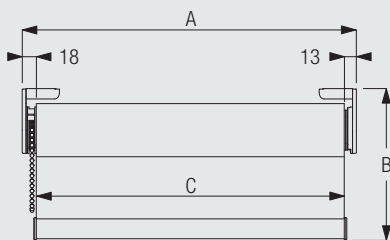
10531

Specification Guide - download from www.silentgliss.co.uk (password required).

Silent Gliss 4910 chain operated roller blind system. Fixed to wall/ceiling/inside recess with 3044 clamp or optional 10539 click bracket and installation profile 10534 and endcovers 10574. Aluminium bottom bar 4221 in white/silver as standard (other shape options available). Optional adjustable endstop allows upper or lower limit setting. Fabric to be selected from Silent Gliss range.

How to Measure

Single system



A: system width (inside recess includes bracket covers)
 B: system drop
 C: fabric width

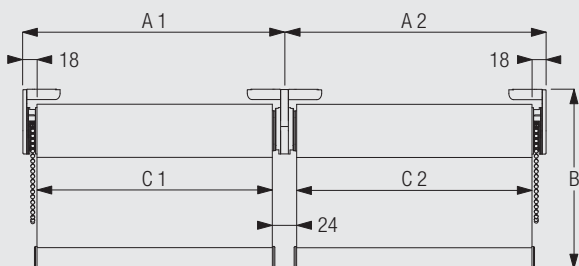
Please note:

- OUTSIDE recess does not include bracket covers, please add 4mm.
- measurements differ when side-guide option is used.



4910

Side-by-side systems (unconnected) - not available with design bracket option



A: system width (inside recess includes bracket covers)
 B: system drop
 C: fabric width

Please note:

- OUTSIDE recess does not include bracket covers, please add 4mm
- measurements differ when side-guide option is used.

System Dimensions



Single System: 2.4m



Single System: 60cm



3 m



7.2m²



3kg

Maximum system width to drop ratio should not exceed 3.5:1

Please note: maximum system width/drop also depends on the fabric type.

Maximum system drop

Wall fitting:

Fabric thickness	mm	0.15	0.20	0.25	0.30	0.35	0.40	0.45	0.50	0.55	0.60	0.65	0.70	0.75	0.80
Max. system drop	cm	300	300	300	300	300	300	300	300	300	290	270	250	230	220

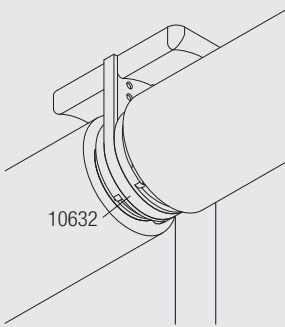
Ceiling fitting:

Fabric thickness	mm	0.15	0.20	0.25	0.30	0.35	0.40	0.45	0.50	0.55	0.60	0.65	0.70	0.75	0.80
Max. system drop	cm	300	300	300	300	300	300	300	300	300	300	300	300	300	280

To obtain fabric thickness information for a specific Silent Gliss fabric, please refer to the Silent Gliss fabric binder or contact Silent Gliss.

System Options

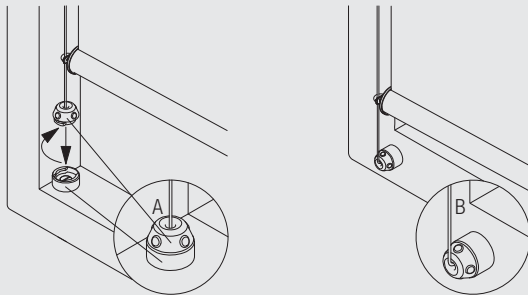
Side-by-side fixing of two systems



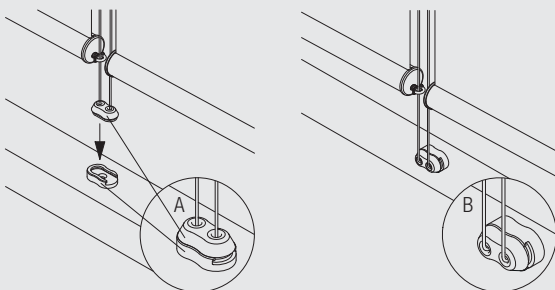
10632 Intermediate cover

Side guides for stabilising blind system and sloped applications (up to 15° incline)

Single system



Double system

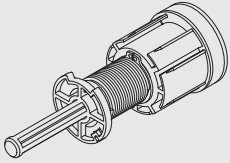


- A: Fitting of side guides inside window frame
- B: Fitting of side guides onto front of window frame



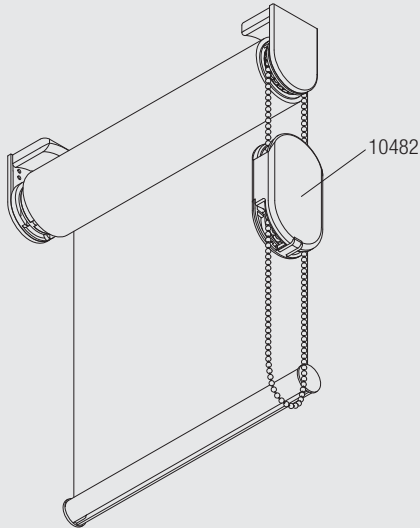
4910

Adjustable end stop



Optional adjustable end stop allows upper or lower limit setting after installation to avoid bottom bar hitting window ledge.

Child safety device



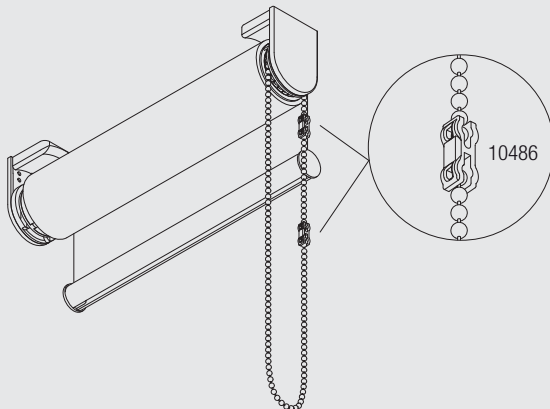
The child safety device SG 10482 releases the chain should the pulling force exceed 6kg.

Please note: System with child safety device has to be installed so chain ends at least 60 cm above floor according to EN 13120.

Chain break connector



4910



The chain break connector SG 10486 releases the chain should the pulling force exceed 6kg.

Please note: Ref: EN13120 the system with chain break connector has to be installed so chain ends at least 60cm above floor.

If chain is pulled harshly, the chain break connector may release so please consider accessibility before selecting this option!

Stop Controller

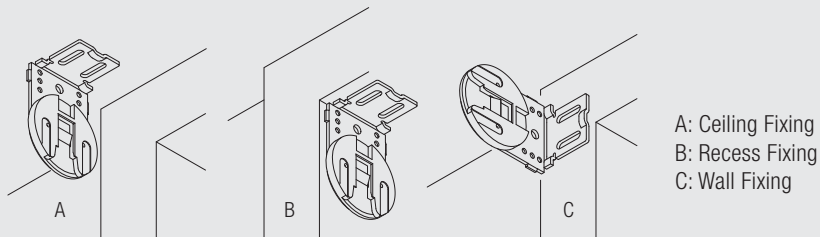
The stop controller mechanism halts the blind at any given position - ideal for very tall windows or contracts where all blinds must be at the same level from the outside

Fitting Information

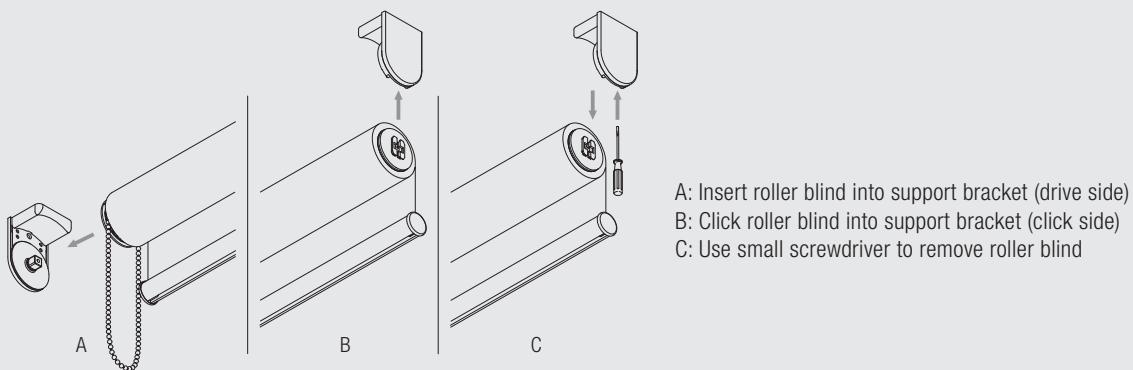
WARNING

Young children can be strangled by loops in pullcords, chains, tapes and inner cords that operate the product. To avoid strangulation and entanglement, keep cords out of the reach of young children. Cords may become wrapped around a child's neck. Move beds, cots and furniture away from window covering cords. Do not tie cords together. Make sure cords do not twist to create a loop.

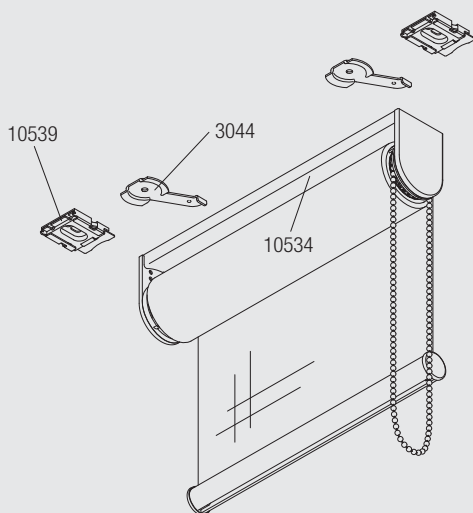
Positioning of system



Easy loading and removal of the blind



Alternative fixing with continuous installation profile (optional)

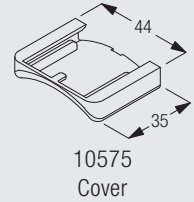
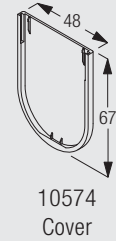
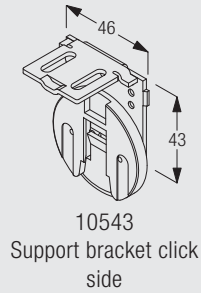
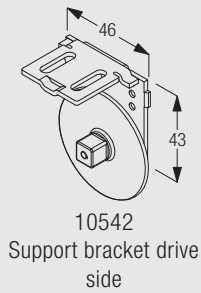
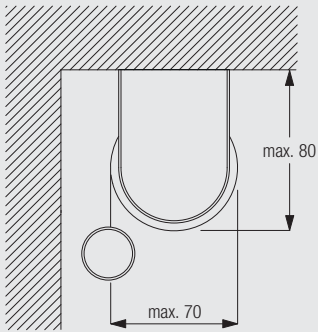


System can be pre-mounted on continuous installation profile 10534 for fast fitting on site. Just mount the system with pre-fixed clamps 3044 or click brackets 10539.



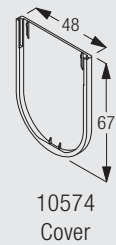
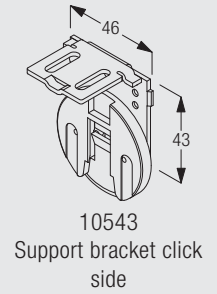
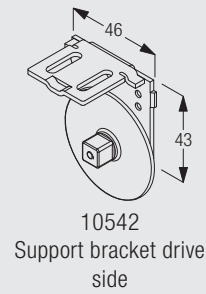
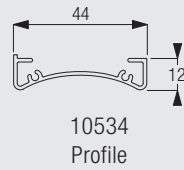
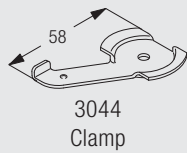
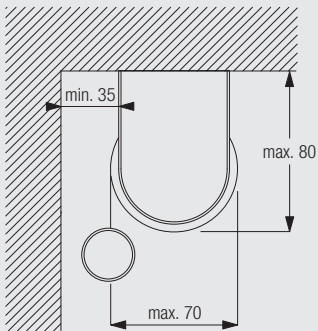
4910

Ceiling fix with brackets



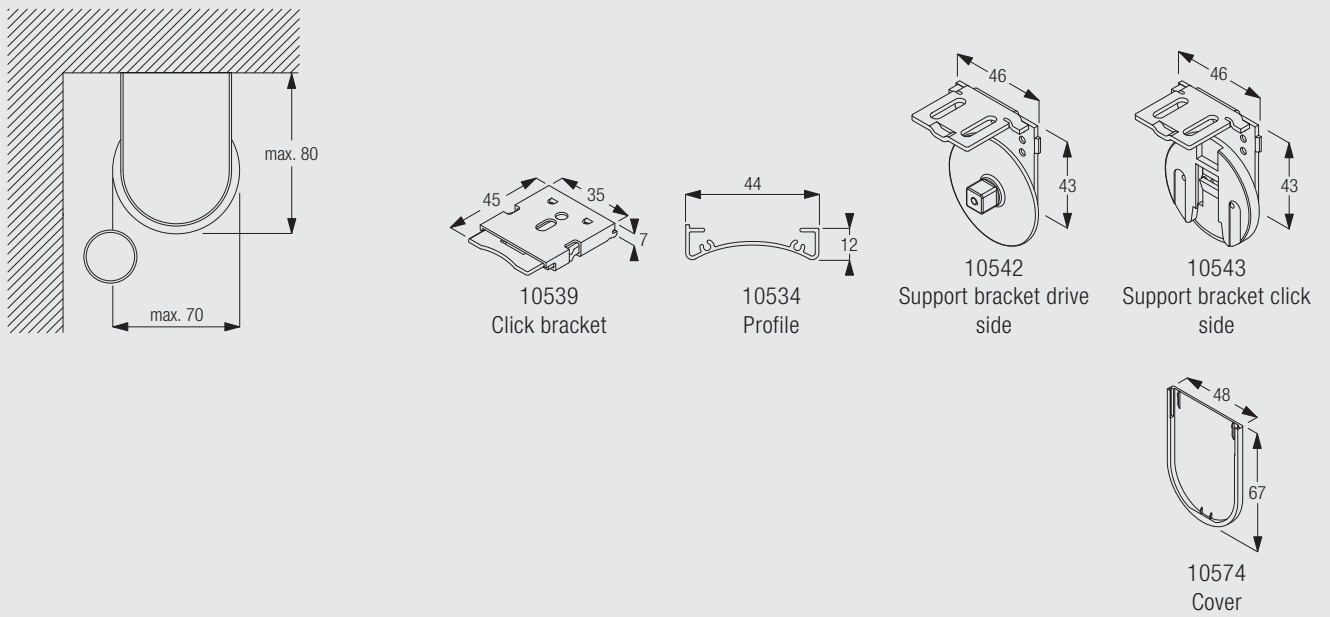
All measurements are based on the maximum system dimensions.

Ceiling fix with optional installation profile and clamps 3044



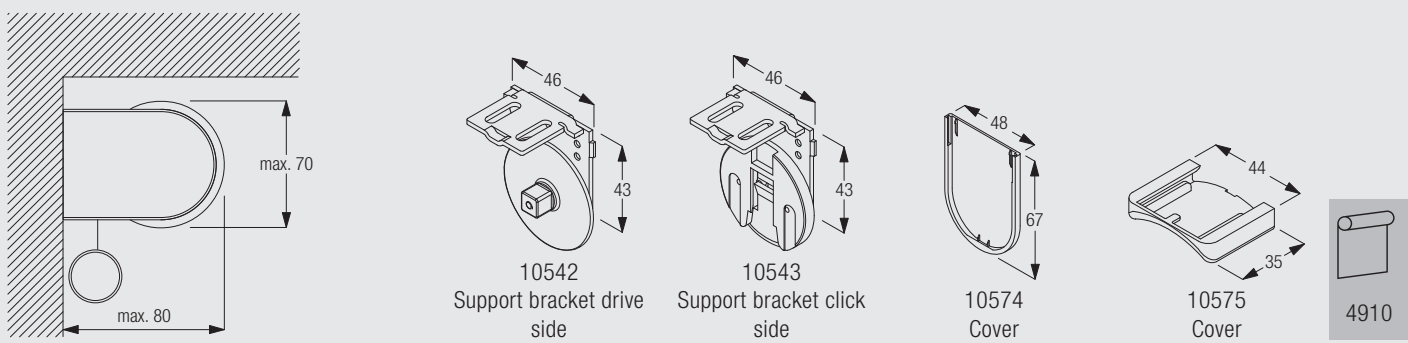
All measurements are based on the maximum system dimensions.

Ceiling fix with optional installation profile and click bracket 10539



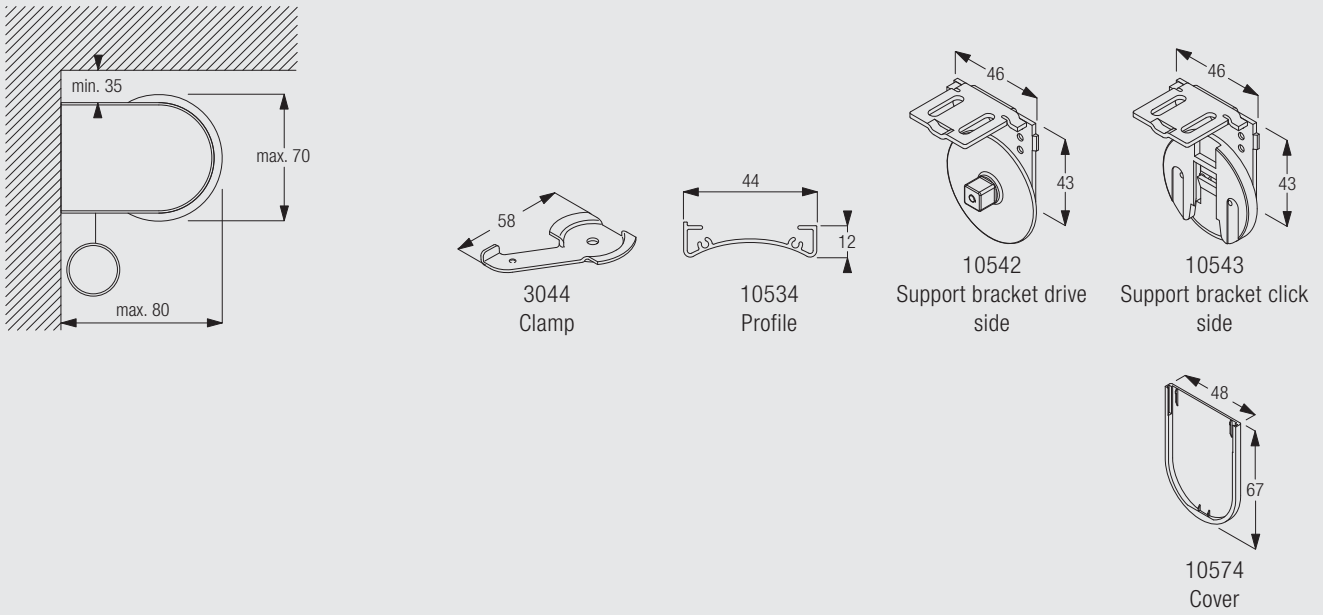
All these measures are based on the maximum system dimensions.

Wall fix with brackets



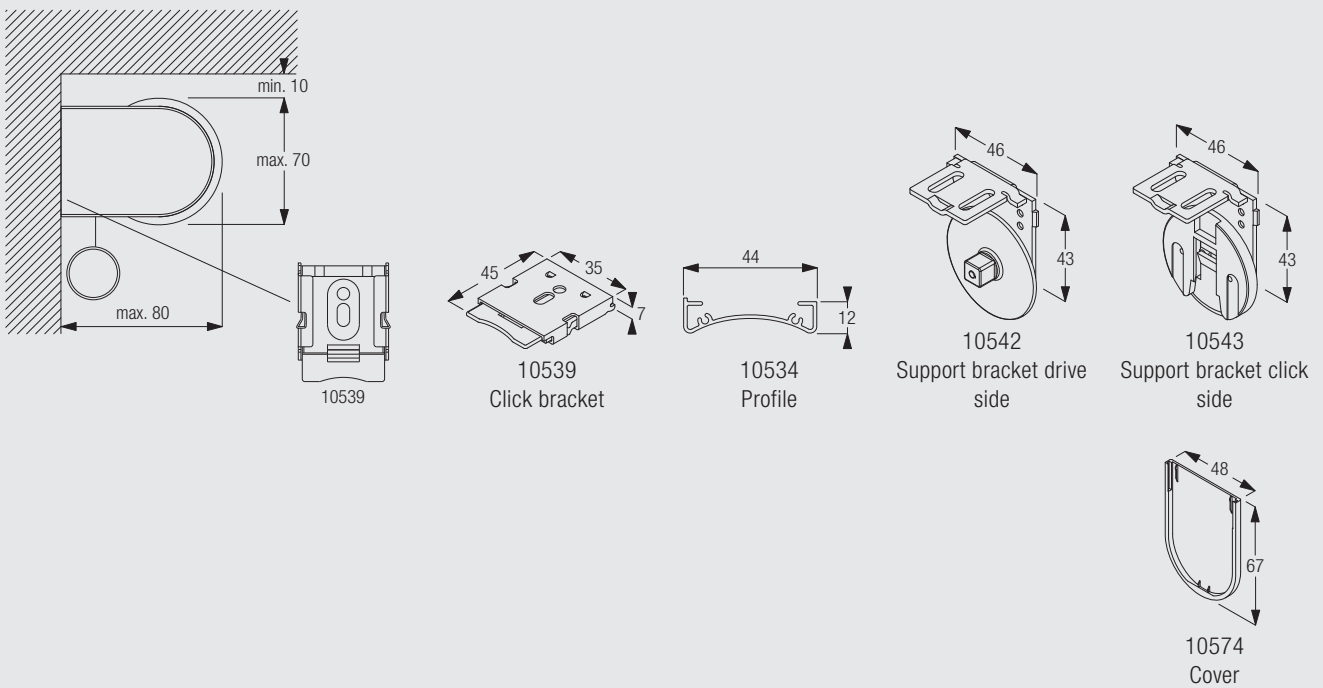
All measurements are based on the maximum system dimensions.

Wall fix with optional installation profile and clamps 3044



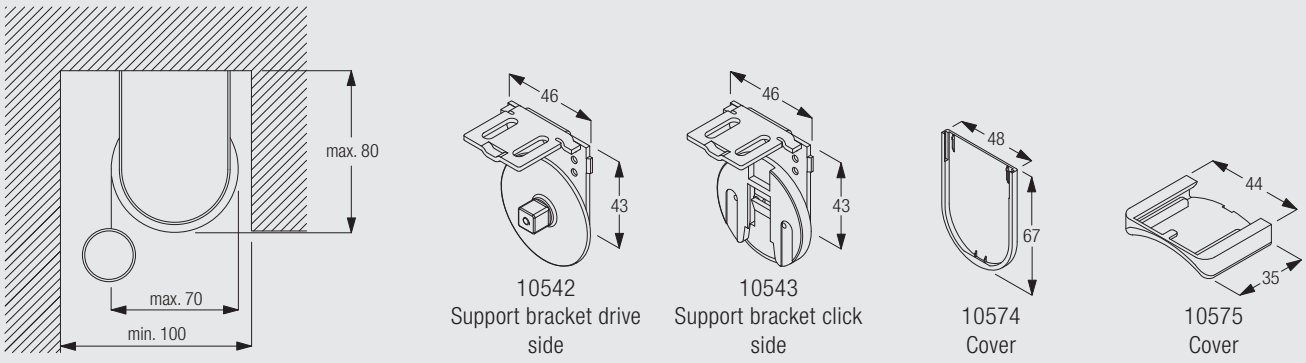
All measurements are based on the maximum system dimensions.

Wall fix with optional installation profile and click bracket 10539



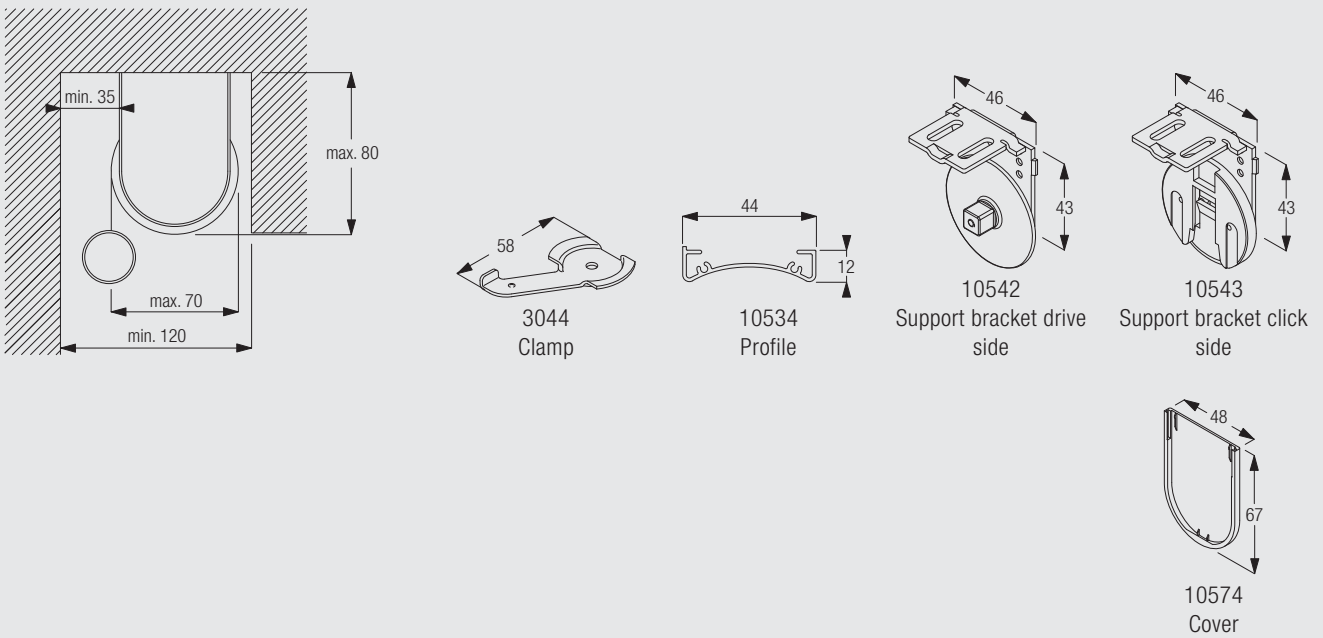
All measurements are based on the maximum system dimensions.

Recess fix with brackets



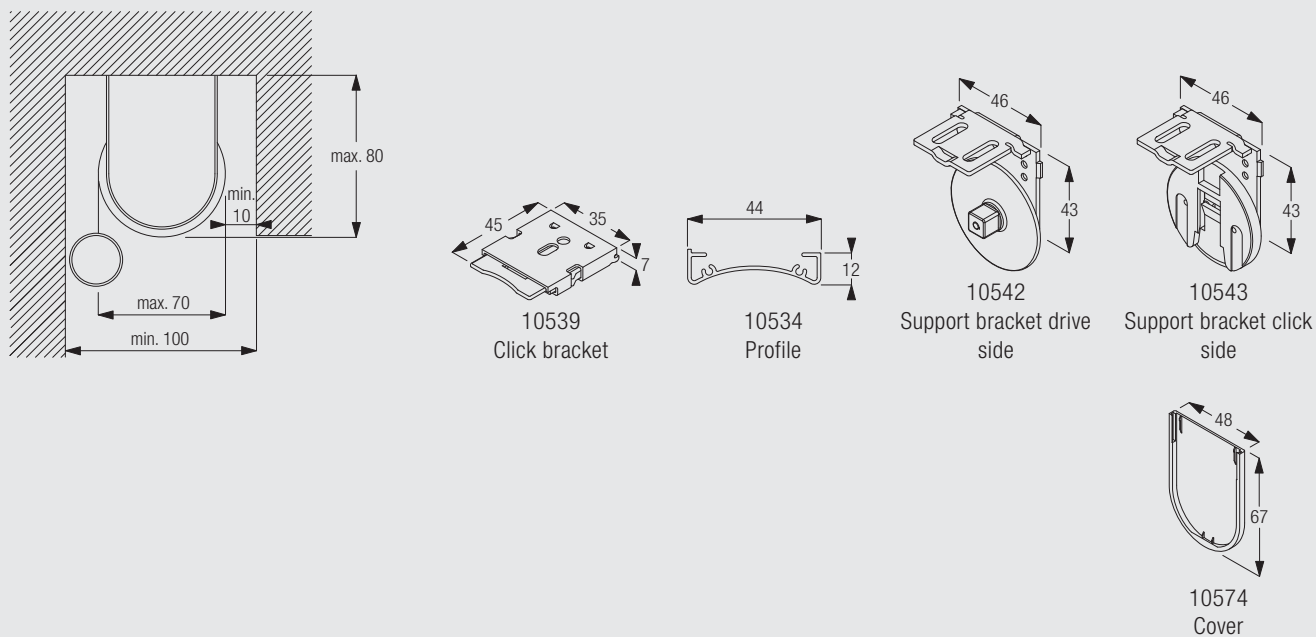
All measurements are based on the maximum system dimensions.

Recess fix with optional installation profile and clamps 3044



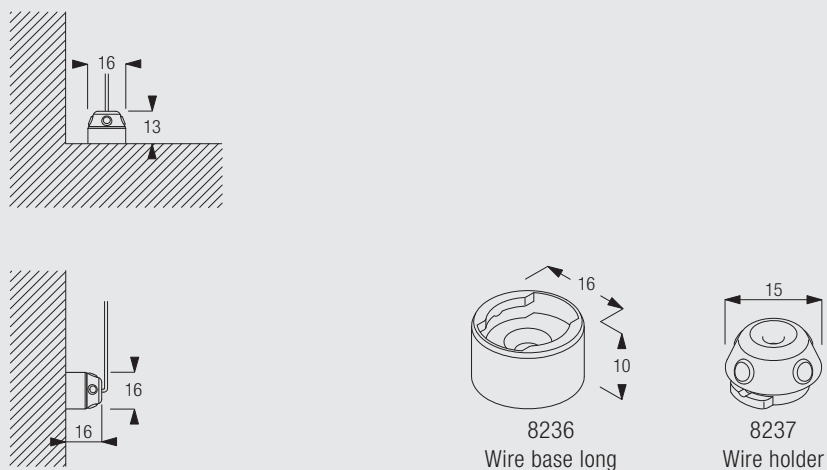
All measurements are based on the maximum system dimensions.

Recess fix with optional installation profile and click bracket 10539

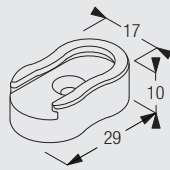
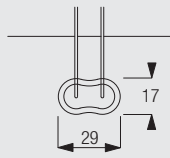
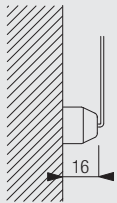
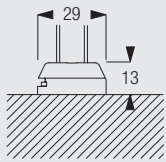


All measurements are based on the maximum system dimensions.

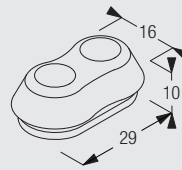
Fitting with optional side guides



Fitting with optional side guides (side-by-side installation)








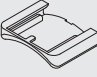



10669
Double base long
(side guide)



10701
Double wire holder
(side guide)







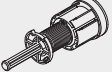

Standard Accessories

4221	Bottom bar		10400	Safety Cord Retainer	
10530	Stainless steel bead chain (ø 4mm)		10531	Profile	
10542	Support bracket drive side		10543	Support bracket click side	
10574	Cover		10575	Cover	
10639	End cover round				



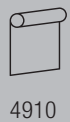
4910

Optional Accessories


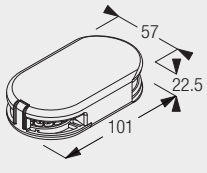
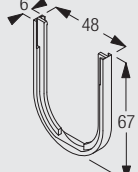
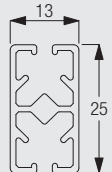

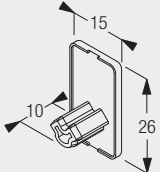
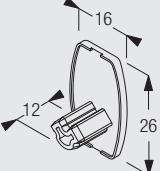
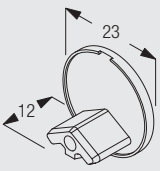
3044	Clamp		8235	Wire base short	
8236	Wire base long		8237	Wire holder	
8249	Locking ring		10387	Cover for metal bracket	
10482	Child Safety device - 4mm Metal Bead Chain		10486	Chain break connector set (incl. chain, chain stop & warning booklet)	
10534	Profile		10535	Design end cover round (metal)	
10539	Click bracket		10559	End stop left	
10560	End stop right		10632	Intermediate cover	

10633	Bottom bar rectangle		10634	Bottom bar oval	
10635	End cover rectangle		10636	End cover rectangle (side guide)	
10637	End cover oval		10638	End cover oval (side guide)	
10640	End cover round (side guide)		10641	Eyelet (side guide)	
10642	Wire holder (side guide)		10643	Wire \varnothing 1.3mm x 4.2m (side guide)	
10669	Double base long (side guide)		10673	Double base short (side guide)	
10701	Double wire holder (side guide)		10703	Design bracket click side	
10704	Design bracket drive side		10706	Wire \varnothing 1.3mm x 2.6m (side guide)	
10707	Cushion		10709	Chain stop	

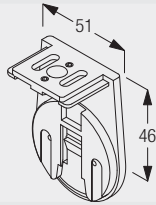
Useful Measurements



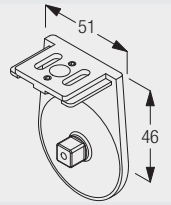
4910

4221	Bottom bar		10482	Child Safety device - 4mm Metal Bead Chain	
10632	Intermediate cover		10633	Bottom bar rectangle	
10634	Bottom bar oval		10635	End cover rectangle	
10637	End cover oval		10639	End cover round	

10703 Design bracket click side



10704 Design bracket drive side



4910

www.silentgliss.co.uk
www.silentglissglobal.com

Silent Gliss Ltd
Pyramid Business Park
Poorhole Lane
Broadstairs
Kent
CT10 2PT
Great Britain

Tel: +44 (0) 1843 863571
Fax: +44 (0) 1843 864503
info@silentgliss.co.uk

Silent Gliss Global Ltd
Pyramid Business Park
Poorhole Lane
Broadstairs
Kent
CT10 2PT
Great Britain

Tel: +44 (0) 1843 874250
Fax: +44 (0) 1843 874457
info@silentglissglobal.com