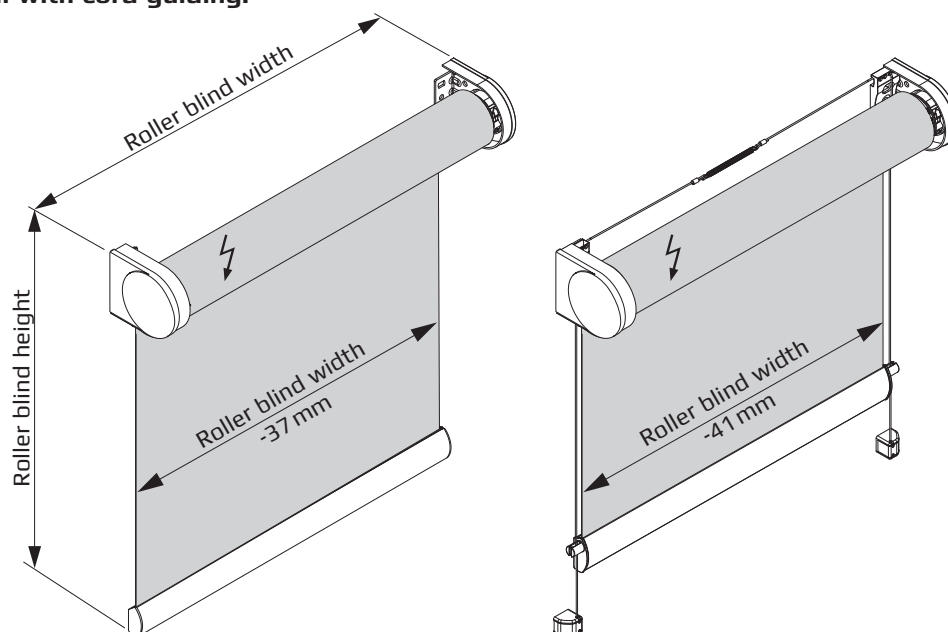


RM06 - Medium Roller blind with mounting brackets and motor operation.
Optional with cord guiding.



**Dimensions/
Roller blind measures**

- **Width** : min. 0.40 m (depending on the motor)
max. 2.80 m (depending on the fabric)
- **Height** : max. 3.00 m (depending on the fabric)
max. braking force 5.0 kg (depending on the motor)
- **Fabric** : max. 5.0 kg (depending on the motor)

Gear/Hardware

- **Motor drive** in the roller blind shaft.
The blind can be operated by a switch or remote control to enable an exact, free adjustment of the fabric in any desired position.
- **Aluminium tube shaft**, Tape (Ø29.0/Ø38.0/Ø44.0 mm) is made of extruded aluminium (Al Mg Si 0.5 F22).
- **Aluminium tube shaft**, Spline (Ø43.0 mm) is made of extruded aluminium (Al Mg Si 0.5 F22).
- **Closing profile** (13 x 29 mm) is made of extruded aluminium (Al Mg Si 0.5 F22) and applicable for the cord guiding, tight brushes are usable.
Additional weighting possible using Ø5 mm and/or 4 x 8 mm steel section.
- **Plastic parts** used are of high-grade, temperatur-resistant and abrasion-resistant material.
- **Cord guiding** at up to a max. 15° angle.
Steel cord (Ø0.8 mm) plastic-coated in black, grey, and white (Ø1.0 mm).

Operation

- **Plug-in drive SOMFY Roll Up 28 WT - 24 V**
Protection type: IP 30, rated torque: 0.8 Nm, rated speed: 42 rpm, rated voltage: 24 V, max. power consumption: 1 A, weight: 0.260 kg, length: 293 mm, connection: 2.0 m lead (2 x 0.205 mm²) for shaft Ø29.0 (fabric max. 4.5 kg)/Ø38.0 mm (fabric max. 3.5 kg).
- **Plug-in drive SOMFY Sonesse 30 - 24 V**
Suitable for Ø38.0 and Ø43.0 mm aluminium shaft.
Soft-start and soft-stop function and „my“ position.
Protection type: IP 30, rated torque: 2 Nm, rated speed: 25 rpm, rated voltage: 24 V, weight: 0.6 kg, length: 447.4 mm, connection: 2.0 m cable (2 x 0.25 mm²),
Sonesse 30 RTS with integrated radio receiver, radio frequency 433,42 MHz.
- **Plug-in drive SOMFY Sonesse 40 - 230 V**
Suitable for Ø44.0 and Ø52.0 mm aluminium shaft.
Protection type: IP 44, rated torque: 3 Nm, rated speed: 30 rpm, rated voltage: 230 V, frequency: 50 Hz, power consumption: 0.44 A, output: 95 W, weight: 1.125 kg, length: 478 mm, connection: 2.5 m cable (3 x 0.75 mm²),
Sonesse 40 RTS with integrated radio receiver, radio frequency 433,42 MHz, Length: 517 mm, connection: 3,0 m cable (2 x 0,75 mm²).
- **Motor side:** optional left or right.

Colours

- **Closing profile** (13 x 29 mm) is technically anodised according to E6/EV1 in silver or powder-coated white (RAL 9016), black (RAL 9005) and beige (RAL 1015).
- **Brackets:** galvanized steel or white (RAL 9016).
- **Plastic parts** in white, grey, black, beige or transparent.

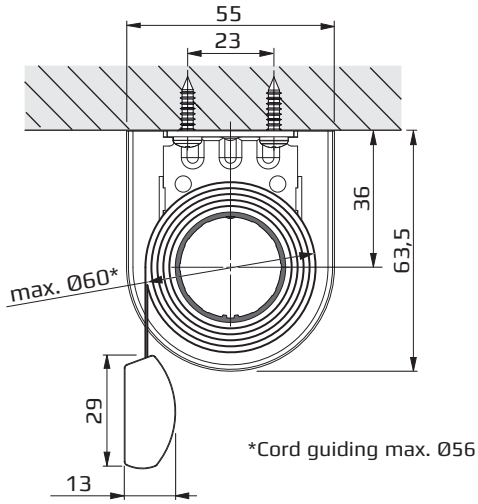
Mounting

- **Bracket mounting** on the wall, ceiling or in the reveal.
- **Cord guiding** screwed directly on the holder (plastic).

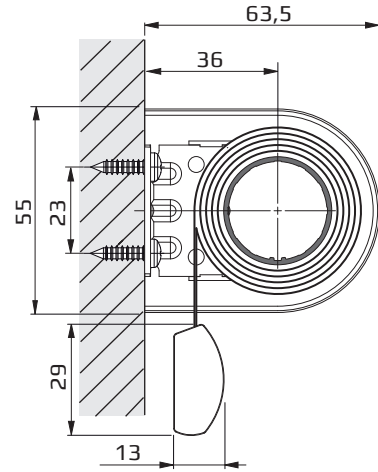
RM06 - Medium Roller blind with mounting brackets and motor operation.
Optional with cord guiding.

Mounting

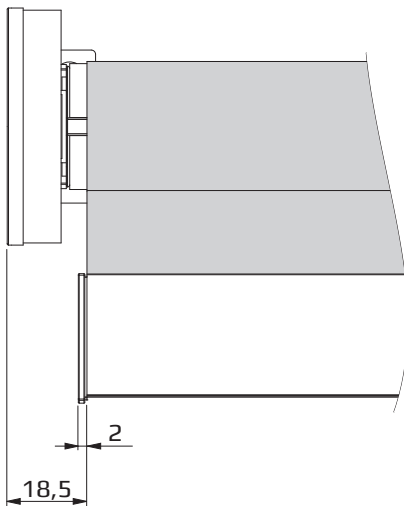
Ceiling mounting



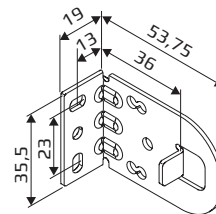
Wall mounting



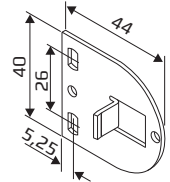
Dimensions



Bracket, standard



Bracket, reveal (optional)



Cord guiding

