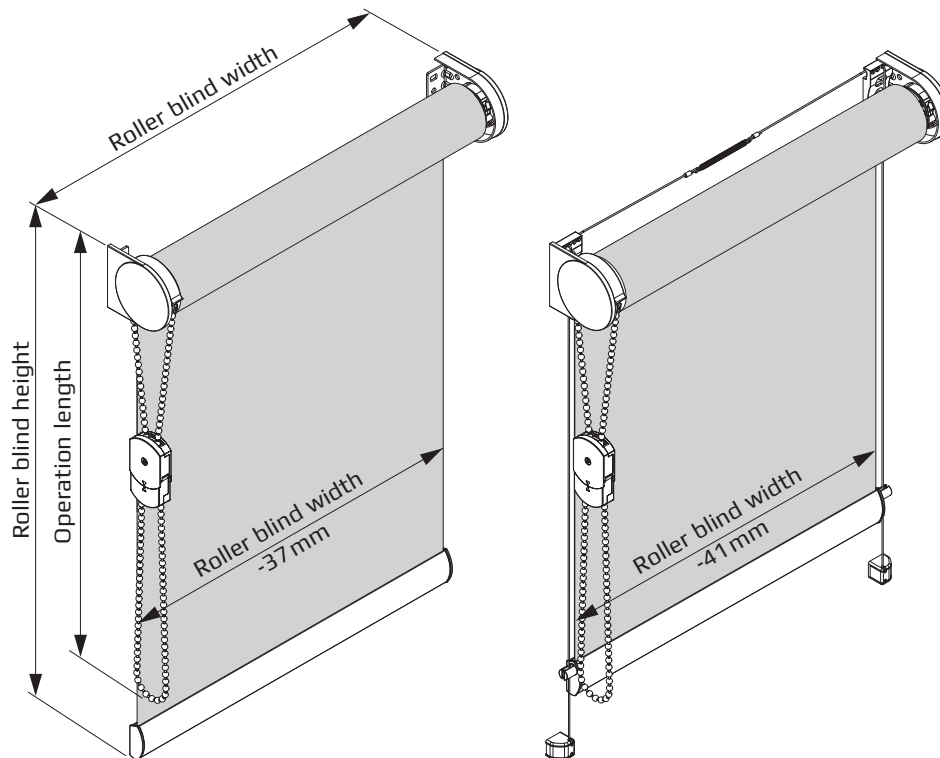


**RM01 - Medium Roller blind with mounting brackets and chain operation.**  
Optional with cord guiding.



**Child safety:**  
for further informations  
please refer to page  
92-94

**Dimensions/  
Roller blind measures**

- **Width** : min. 0.30 m  
max. 2.80 m (depending on the fabric)
- **Height** : max. 3.00 m (depending on the fabric)  
max. braking force 5.0 kg
- **Fabric** : max. 5.0 kg

**Gear/Hardware**

- **Side pulley** with a cord lock via spring clutch.  
The spring clutch enables an exact, free positioning of the fabric in any desired position.  
For heavy hangings or for easier operation, an additional **auxiliary spring** and/or the **side-pull gear** 1.5:1 can be used as an option.
- **Aluminium tube shaft**, Tape (Ø29.0/Ø38.0 mm) is made of extruded aluminium (Al Mg Si 0.5 F22).
- **Aluminium tube shaft**, Spline (Ø43.0 mm) is made of extruded aluminium (Al Mg Si 0.5 F22).
- **Closing profile** (13 x 29 mm) is made of extruded aluminium (Al Mg Si 0.5 F22) and applicable for the cord guiding, tight brushes are usable.  
Additional weighting possible using Ø5 mm and/or 4 x 8 mm steel section.
- **Plastic parts** used are of high-grade, temperatur-resistant and abrasion-resistant material.
- **Cord guiding** at up to a max. 15° angle.  
Steel cord (Ø0.8 mm) plastic-coated in black, grey, and white (Ø1.0 mm).

**Operation**

- **Chain operation**  
by an **endless ball chain** (Ø4.5 x 6.0 mm).  
Plastic balls on a polyester cord Ø1.4 mm in white, grey, black and beige.  
Or with frosted surface in transparent, grey, black and beige.
- **Chain safety device:**  
A release mechanism with a special alignment triggers the opening of the safety elements when a load (6 kg or more) is applied to the chain loop (page 89).
- **Operation side:** optional left or right.
- **Operation length:** freely selectable (up to 0.60 m from the floor).  
Optional **metal ball chain** (Ø4.5 x 6.0 mm) made of nickel-plated brass.  
Fixation of the chain with Cord/chain safety device in transparent.  
Please note the information on page 90! freely selectable (up to 0.60 m from the floor).

**Colours**

- **Closing profile** (13 x 29 mm) is technically anodised according to E6/EV1 in silver or powder-coated white (RAL 9016), black (RAL 9005) and beige (RAL 1015).
- **Brackets:** galvanized steel or white (RAL 9016).
- **Plastic parts** in white, grey, black, beige or transparent.

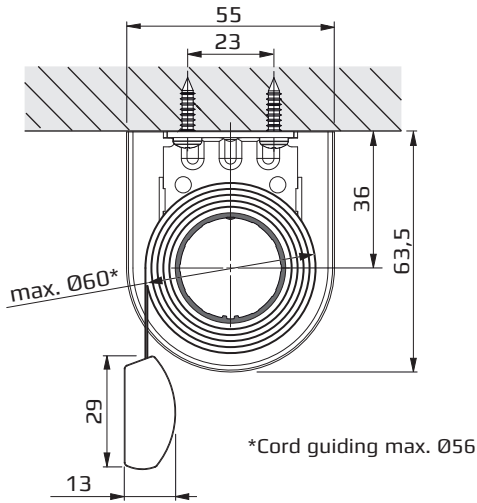
**Mounting**

- **Bracket mounting** on the wall, ceiling or in the reveal.
- **Cord guiding** screwed directly on the holder (plastic).

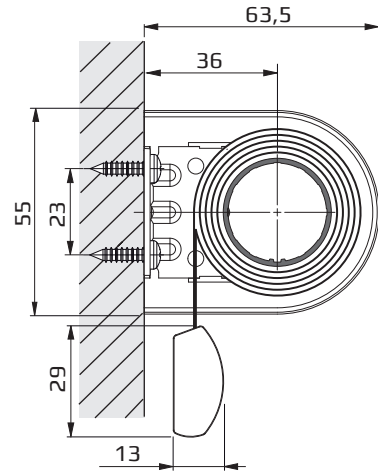
**RM01 - Medium Roller blind with mounting brackets and chain operation.**  
**Optional with cord guiding.**

**Mounting**

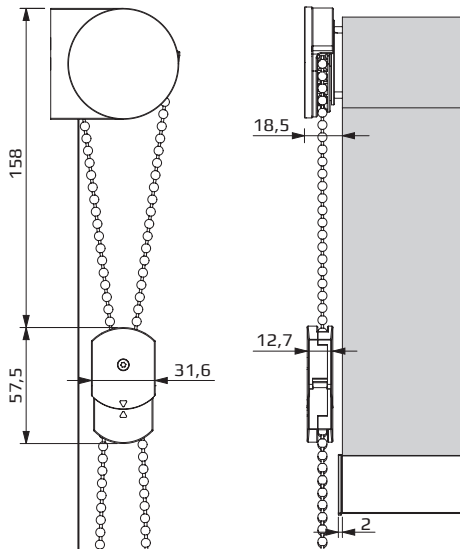
**Ceiling mounting**



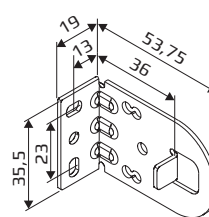
**Wall mounting**



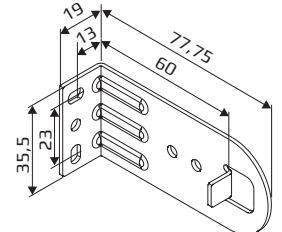
**Dimensions**



**Bracket, standard**

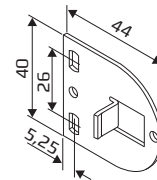


**Bracket, long (optional)**



Used for roller blinds with large heights and thick fabrics. (max. Ø103 mm)

**Bracket, reveal (optional)**



**Cord guiding**

