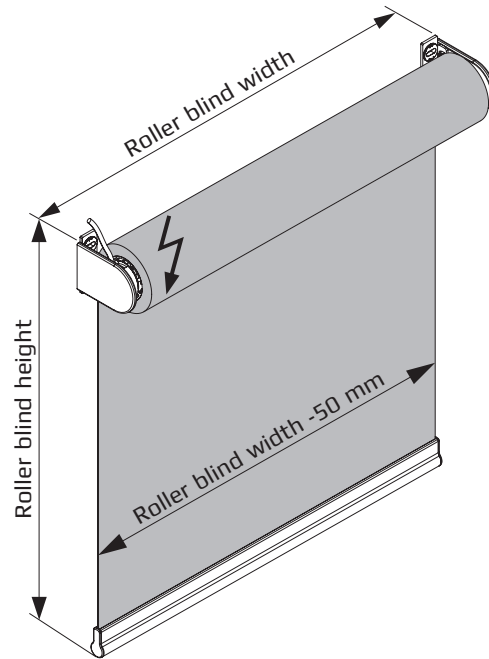


RL06 - Large Roller blind with mounting bracket and motor operation

**Dimensions/
Roller blind measures**

- **Width** : max. 4.00 m (depending on the fabric)
- **Height** : max. 4.00 m (depending on the fabric)
- **Fabric** : max. 12.0 kg (depending on the motor)

Gear/Hardware

- **Motor drive** in the roller blind shaft.
The blind can be operated by a switch or remote control to enable an exact, free adjustment of the fabric in any desired position.
- **High-precision tube shaft** (Ø43 / Ø52 / Ø65 / Ø75 mm) is made of extruded aluminium (Al Mg Si 0.5 F22).
- **Closing profile** (18 x 36 mm) is made of extruded aluminium (Al Mg Si 0.5 F22) and applicable for the cord guiding, tight brushes are usable.
Additional weightening by steel profiles is possible.
- **Plastic parts** used are of high-grade, temperatur-resistant and abrasion-resistant material.
- **Cord guiding** at up to a max. 15° angle.
Steel cord, transparently plastic-coated (Ø2.0 mm).

Operation

- **Plug-in drive SOMFY Sonesse 40 – 230 V**
suitable for the Ø52 or Ø65 mm tube shaft.
Protection class: IP 44, rated torque: 3/6 Nm, rated speed: 30/20 rpm, rated voltage: 230 V, rate: 50 Hz, max. power consumption 0.44/0.55 A, rated power: 95/120 W, weight: 1.125/1.25 kg, length: 478/510 mm, connection: 2.5 m cable (3 x 0.75 mm²).
- **Plug-in drive SOMFY Sonesse 40 RTS – 230 V**
suitable for the Ø52 or Ø65 mm tube shaft.
Protection class: IP 44, rated torque: 3/6 Nm, rated speed: 30/20 rpm, rated voltage: 230 V, rate: 50 Hz, max. power consumption 0.44/0.55 A, rated power: 95/120 W, weight: 1.225/1.25 kg, length: 517/548 mm, connection: 3.0 m cable (3 x 0.75 mm²).
- **Plug-in drive SOMFY LT 50 Start – 230 V**
suitable for the Ø65 or Ø75 mm tube shaft.
Protection class: IP 44, rated torque: 6 Nm, rated speed: 17 rpm, rated voltage: 230 V, rate: 50 Hz, max. power consumption 0.45 A, rated power: 90 W, weight: 1.72 kg, length: 513 mm, connection: 3.0 m cable (4 x 0.75 mm²).
- **Plug-in drive SOMFY 50 RTS Sonesse – 230 V**
suitable for the Ø65 mm or Ø75 mm tube shaft.
Protection class: IP 31, rated torque: 3 Nm, rated speed: 28 rpm, rated voltage: 230 V, rate: 50 Hz, max. power consumption 0.4 A, rated power: 90 W, weight: 2.8 kg, length: 783 mm, connection: 3.0 m cable (4 x 0.75 mm²).
- **Motor side:** optional left or right.

Colours

- **Closing profile** (18 x 36 mm) is technically anodised according to E6/EV1 in silver or powder-coated white (RAL 9016), black (RAL 9005), grey (RAL 9006) or beige (RAL 1013).
- **Fixing brackets** are made of galvanized steel.
- Matching **Plastic parts** in white, black, grey and beige.

Mounting

- **Mounting with universal bracket** on the wall, ceiling or reveal.
- **Cord guiding** screwed directly on the bracket or with the angle (galvanized and white).

RL06 - Large Roller blind with mounting bracket and motor operation

Option

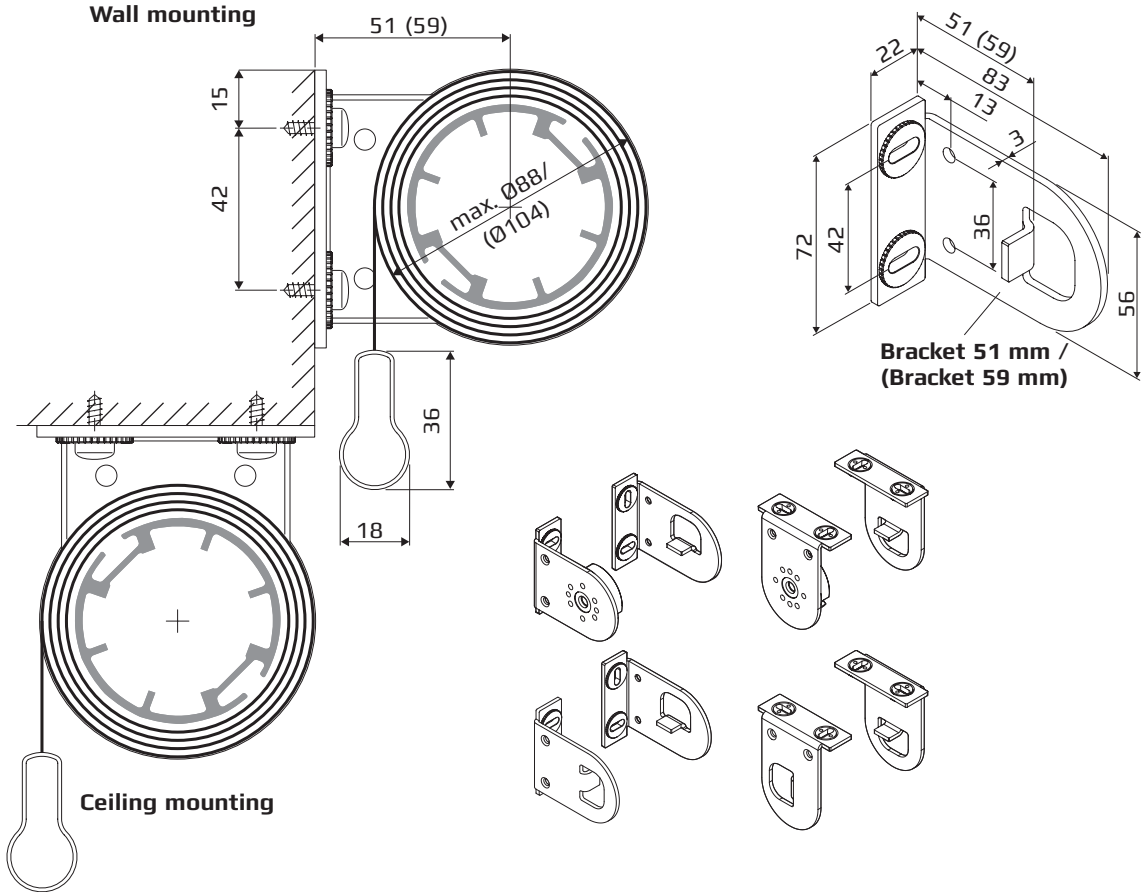
• **Coupling**

Up to three systems of the same type with an integrated operation.

Total width: max. 6.0m, Total area: max. 16 m²,

The fabric weight is depending on the operation variant and the diameter of the shaft
7.0 kg - 12.0 kg.

Mounting



Cord guiding

