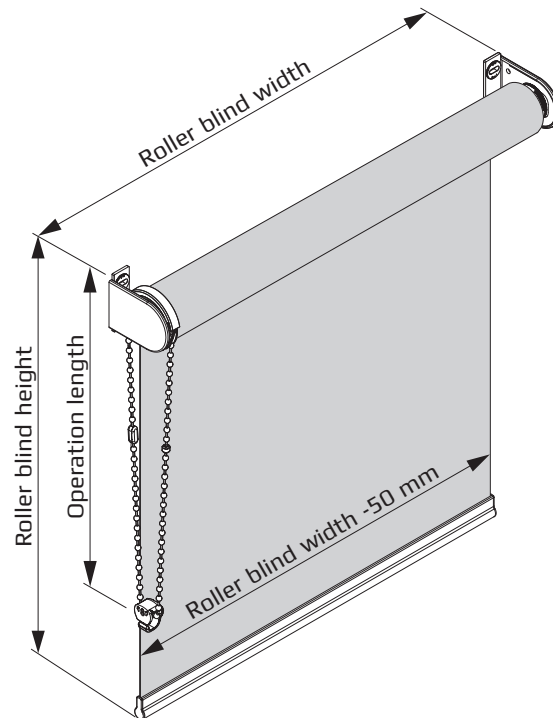


RL01 - Large Roller blind with mounting bracket and lateral chain operation



Child safety:
for further informations
please refer to page 44-45

Dimensions/ Roller blind measures

- **Width** : max. 4.00 m (depending on the fabric)
- **Height** : max. 4.00 m (depending on the fabric)
- **Fabric** : max. 12.0 kg

Gear/Hardware

- **Side pulley** with a cord lock via spring clutch.
The spring clutch enables an exact, free positioning of the fabric in any desired position. An additional lift assistance spring enables an easier operation of heavy-weight fabrics. Additional gearboxes can be combined optionally (Ø52.0 - Ø65.0 aluminium shaft).
1 gearbox with 1.47:1 ratio or 2 gearboxes with 2.15:1 ratio.
- **High-precision tube shaft** (Ø43 / Ø52 / Ø65 mm) is made of extruded aluminium (Al Mg Si 0.5 F22).
- **Closing profile** (18 x 36 mm) is made of extruded aluminium (Al Mg Si 0.5 F22) and applicable for the cord guiding, tight brushes are usable.
Additional weightening by steel profiles is possible.
- **Plastic parts** used are of high-grade, temperatur-resistant and abrasion-resistant material.
- **Cord guiding** at up to a max. 15° angle.
Steel cord, transparently plastic-coated (Ø2.0 mm).

Operation

- **Chain operation**
by an **endless ball chain** (Ø6.0 mm x 12.0 mm) - plastic balls on a polyester cord in transparent/white, transparent/grey or transparent/black.
Optional **metal ball chain** (Ø4.5 x 6.0 mm) made of nickel-plated brass or stainless steel or plastic ball chain (Ø4.5 x 6.0 mm) in white, black, grey and beige.
- **Final position limitation** through chain stopper in transparent.
- **Operation side:** optional left or right.
- **Fixation** of the chain operation by through Cord/chain safety device transparent.
or the use of a chain securing device (no final position limitation through chain stopper).
- **Operation length:** freely selectable (In compliance with child safety).

Colours

- **Closing profile** (18 x 36 mm) is technically anodised according to E6/EV1 in silver or powder-coated white (RAL 9016), black (RAL 9005), grey (RAL 9006) or beige (RAL 1013).
- **Fixing brackets** are made of galvanized steel.
- Matching **Plastic parts** in white, black, grey and beige.

Mounting

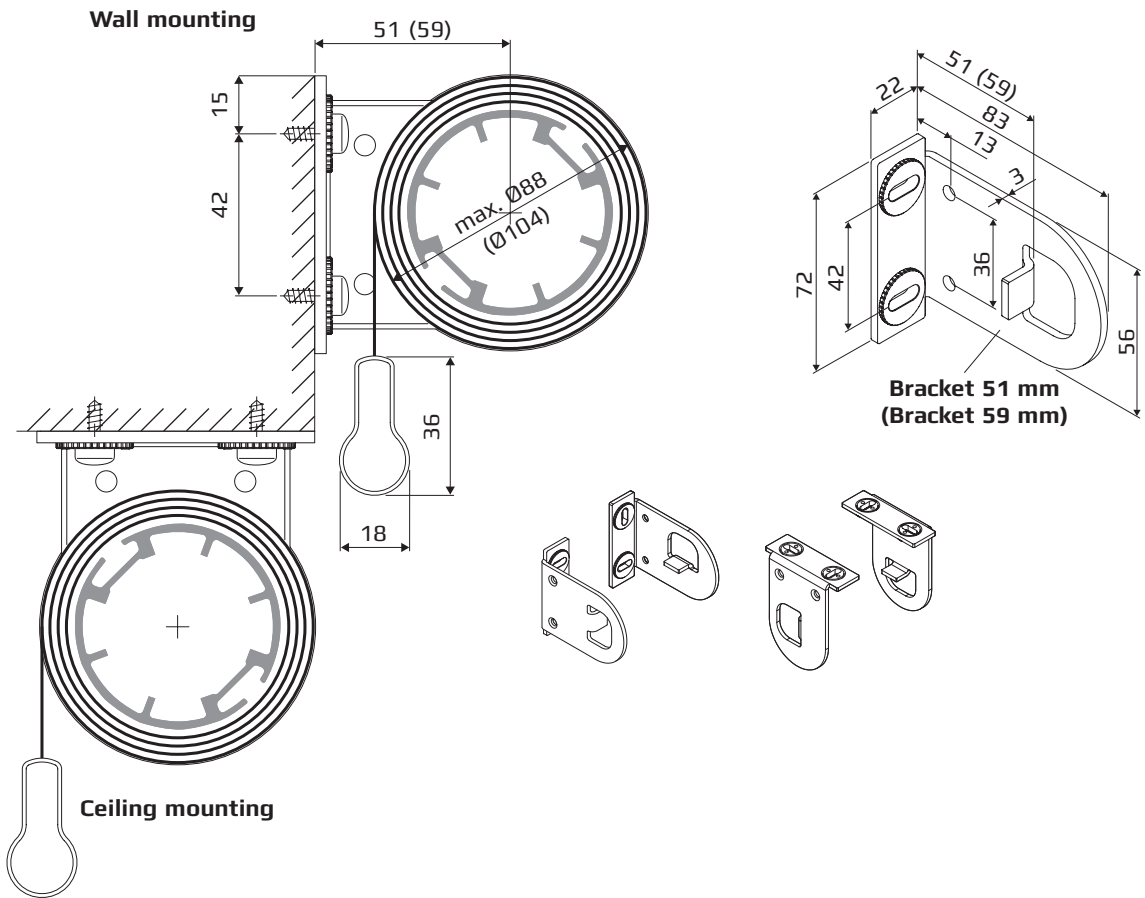
- **Mounting with universal bracket** on the wall, ceiling or reveal.
- **Cord guiding** screwed directly on the bracket or with the angle (galvanized and white).

Option

- **Coupling**
Up to three systems of the same type with an integrated operation.
Total width: max. 6.0m, Total area: max. 16 m²,
The fabric weight is depending on the operation variant and the diameter of the shaft
7.0 kg - 12.0 kg.

RL01 - Large Roller blind with mounting bracket and lateral chain operation

Mounting



Cord guiding

