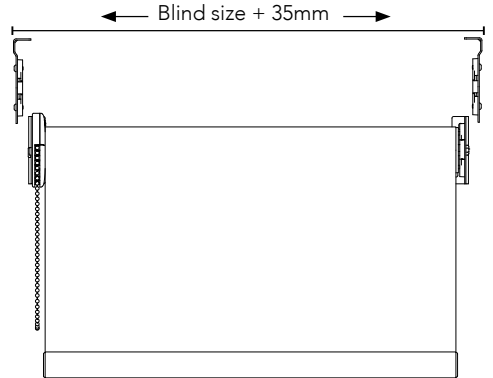


ROLLER SYSTEM 55[®]

SPRING RETURN

Fitting Instructions

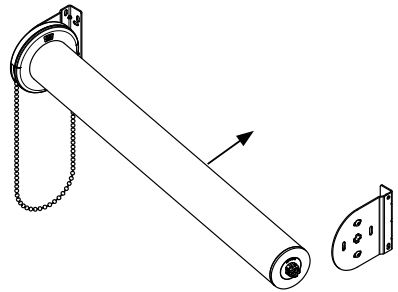
The fixing brackets should be fixed level and measure 35mm wider than the fabric width.



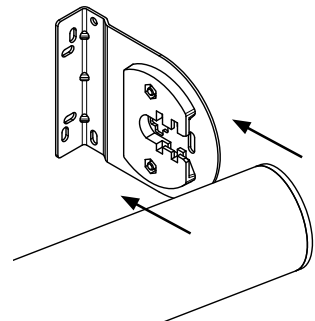
Fix the bracket so the outsides of the brackets are the correct distance apart, with the Adaptor Plate already located in correct orientation.

i.e. top/face fix and/or left hand/right hand

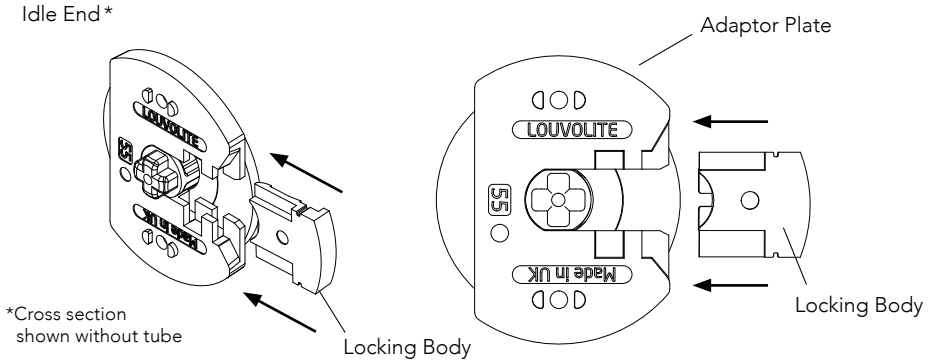
Firstly place Control End Unit into the bracket so it sits into the locating lugs.



Offer the Idle End to the bracket and then depress the plunger (when pushed against the bracket plunger it will compress) so it can slide into the Adaptor Plate - then locate this into the cross section of the bracket. The blind should now remain firmly in position. If movement occurs, turn plunger cross end until it is located into bracket. Confirm the plunger is fixed into position by checking it is fully engaged into bracket.

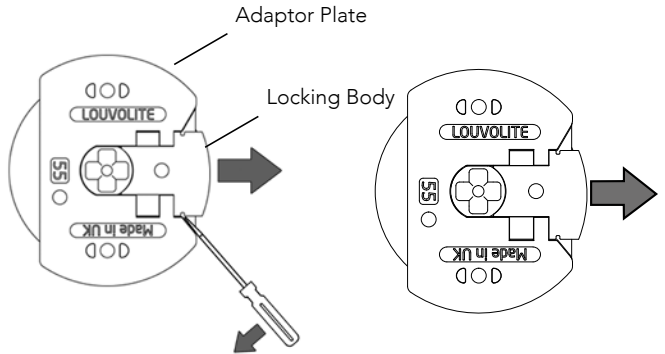


Push the locking body into the bracket adaptor (this will only locate one way). Ensure locking body is fully engaged into the adaptor plate.

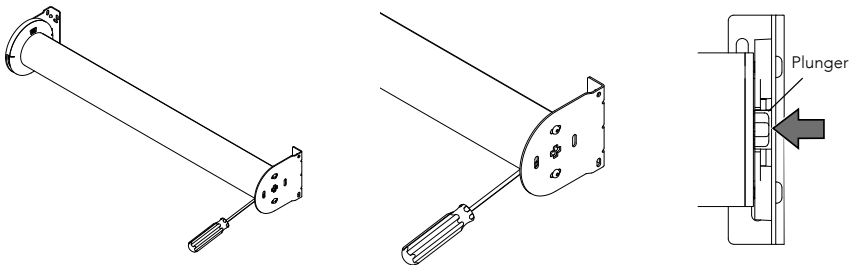


REMOVAL OF BLIND

First remove the Adaptor Plate Locking Body using a flat head screw driver. Ensure the locking body is completely removed before attempting to remove blind.



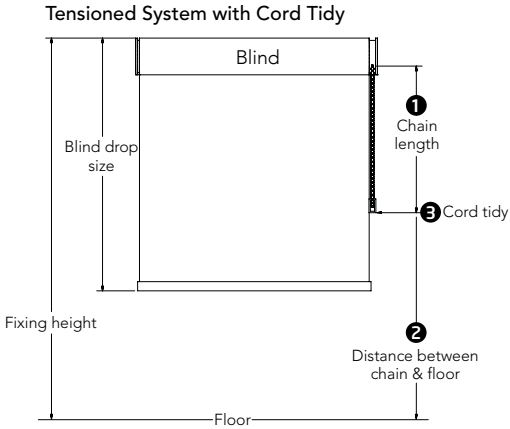
REMOVAL OF BLIND (IN A RECESS)



After removing the locking body using a flat head screwdriver, insert it down the space vacated by the Locking Body and prise the plunger away from the bracket. Compression of the spring allows the plunger to be removed.

FOR CHILD SAFETY

TENSIONED SYSTEM WITH CORD TIDY



- | | |
|----------|---|
| 1 | If fixing height is unknown <ul style="list-style-type: none">- Blind drop \leq 2.5 metres, the chain length must be \leq 1 metre.- Blind drop $>$ 2.5 metres, the chain length must be drop of blind minus 1.5 metres. |
| 2 | If fixing height known <p>All blind drop sizes, distance between floor and bottom of chain must be greater than 1.5 metres.</p> |
| 3 | Cord tidy <p>Affix a cord tidy to the wall at the maximum distance possible from the blind control mechanism ensuring all operating cords are taut (chain no more than 50mm apart at entry/exit of cord tidy).</p> |

Visit www.louvolite.com to view the links to all of our assembly instructional videos.

