

integra

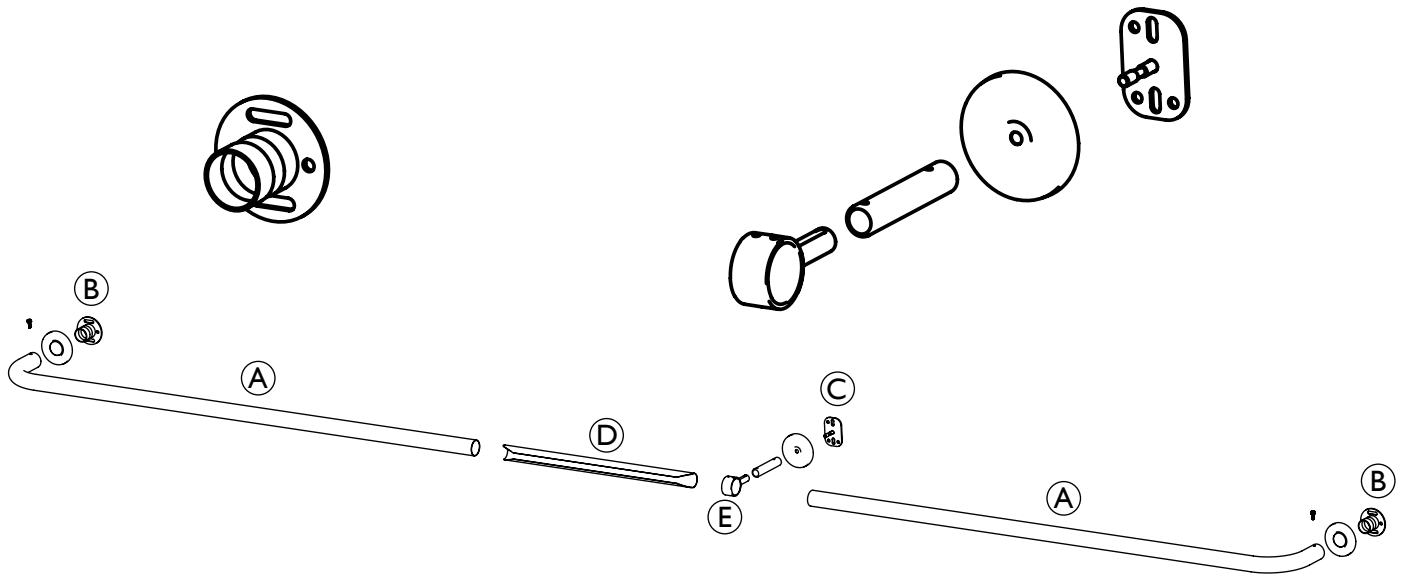
French Pole

Fitting Instructions

Please read these instructions carefully and check the contents of the pack against the table below before attempting to assemble and install this product. Please ensure the correct wall plugs are used to suit your wall type, if unsure consult your local DIY store.

Should any component be missing, please call the Customer Care Department on 0330 005 2233.

Tools required: Pencil, measure, spirit level, drill, screwdriver, hacksaw and file (if cutting down).



Contents	Pole Length	200cm	400cm
A Poles with 90 degree bends		100cm x 2	200cm x 2
B Back plate with covers		2	2
C Centre bracket		1	1
D Pole joiner		1	1
E Pole joiner cover		1	0

Suitable for all domestic weight curtains.

Can be cut to size.

The pole joiner cover can be used as an alternative to the centre bracket if the total length of the pole is less than 120cm.

Safety Recommendation

Always use a step ladder when working at height.

DO NOT over reach. Always move the step ladder so that you are in a safe working position.

DO NOT hold or lean on the pole to support your weight.

We recommend you use two people for installation of a larger poles.

Take care when using power tools, use of a Residual Current Device (RCD) is recommended.

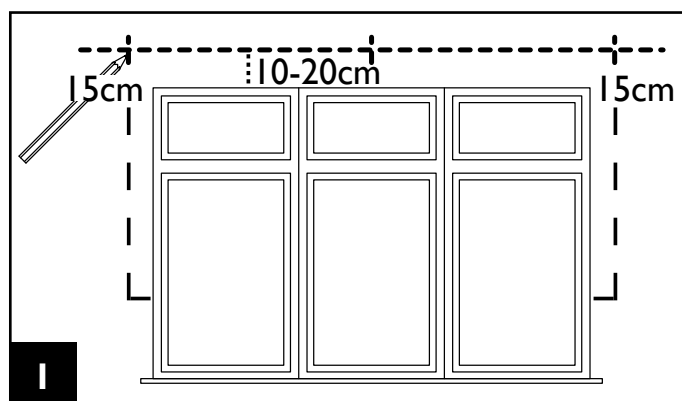
Always use eye protection when drilling. Beware of hidden pipe runs and cables.

No liability will be accepted for damage or injury caused by incorrectly installed or assembled product.

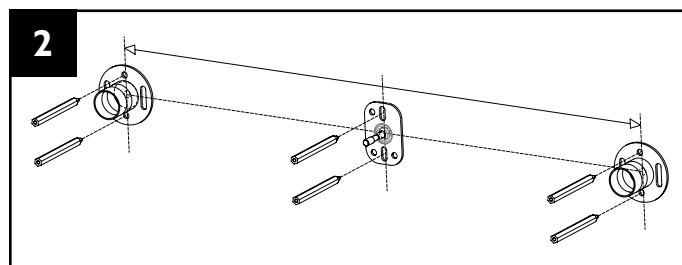
PLEASE KEEP OUT OF THE REACH OF YOUNG CHILDREN. SMALL PARTS - CHOKING HAZARD.
PLEASE KEEP THESE INSTRUCTIONS AND THE BATCH CODE ON THE PACKAGING FOR FUTURE REFERENCE IN CASE OF ANY QUERIES.

Installing the brackets

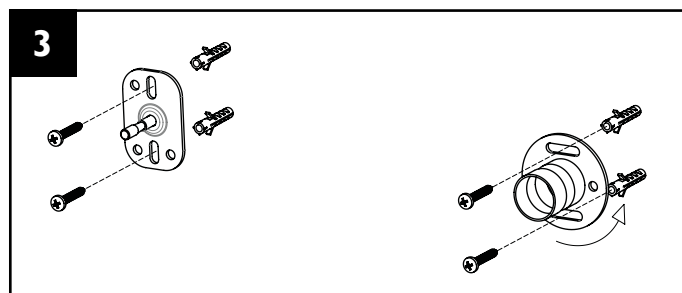
1. Mark a light horizontal line 10cm to 20cm above the window to represent where the pole will be fitted. On the line, mark the back plate positions 15cm from each side of the window, mark the centre bracket, if required, at the mid point of the window. (fig. 1)



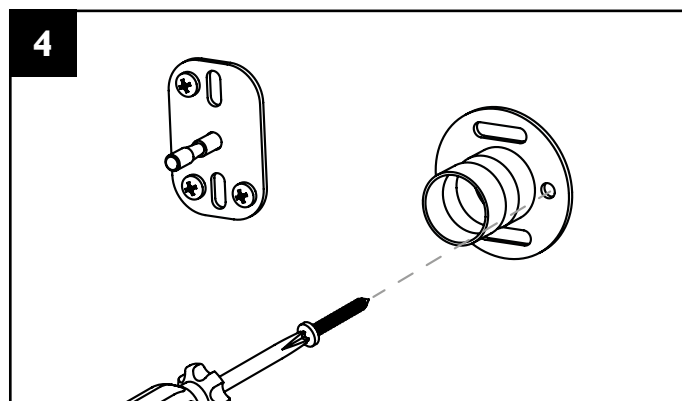
2. Position each fixing plate and use them as a template to mark the screw positions. (fig. 2)



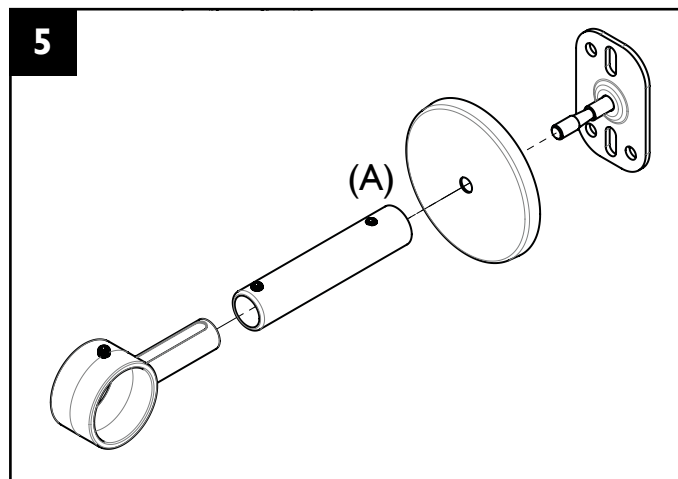
3. Drill the holes and fit appropriate wall plugs if necessary, if unsure of fixings consult your local DIY store. (fig. 3)



4. Fix the back plates and centre bracket if required, in the correct position. (fig. 4)

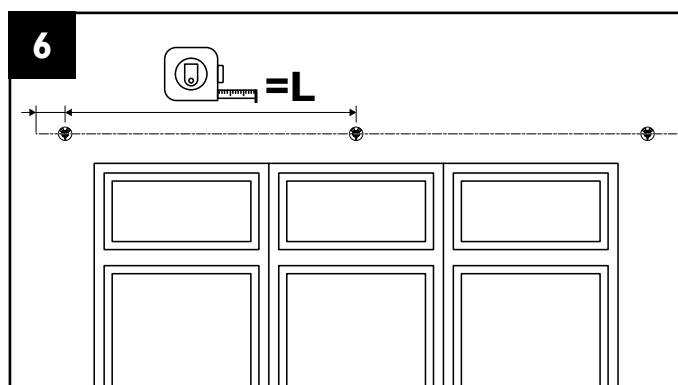


5. Fit the centre brackets cover and arm to the back plate ensuring the smallest hole (A) is nearest the coverplate. (fig. 5)

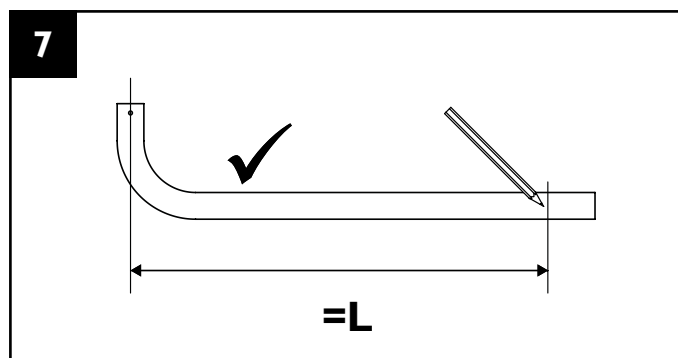


Cutting down the poles

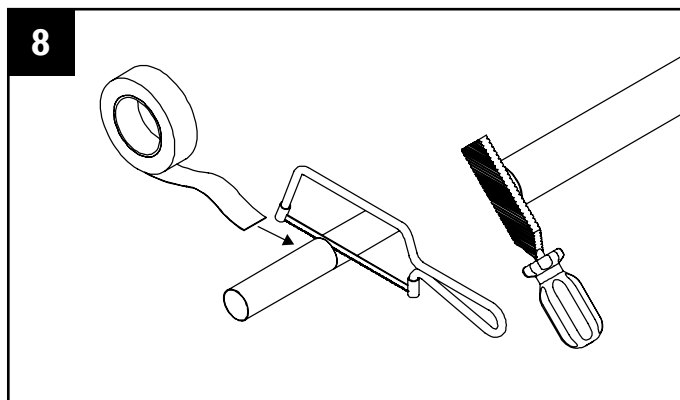
1. If it is necessary to shorten the poles, measure the distance between the centre point of the pole and the back plate. This is value L. (fig. 6)



2. Mark the distance L onto both poles. (fig. 7)

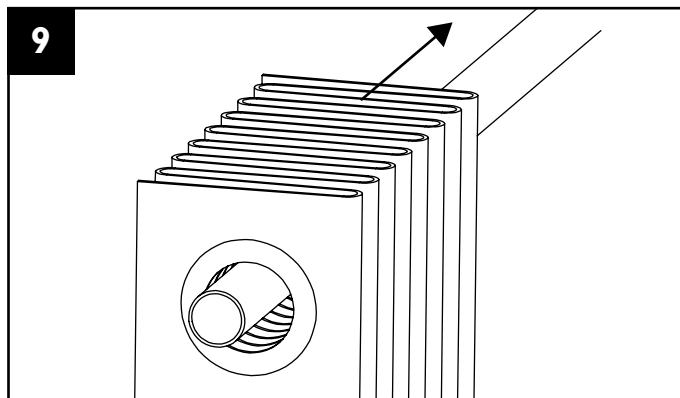


3. Mark the pole and wrap with masking tape to protect the pole when cutting. File any sharp edges. Repeat on the second pole. (fig. 8)

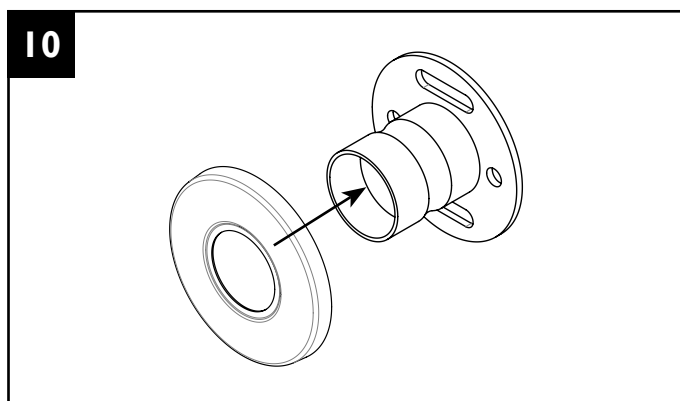


Assembling the pole

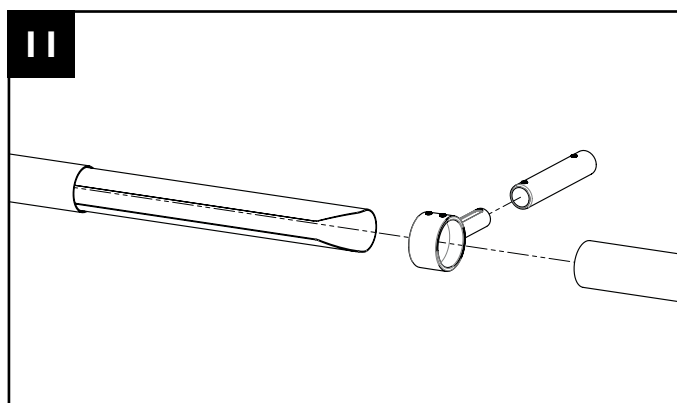
1. If using rings, we recommend 1 ring per 10cm of pole. These are sold separately. Split the total number of rings in half and thread each half onto each pole length. Similarly, eyelet curtains can be used, threading one curtain onto each pole length. (fig 9)



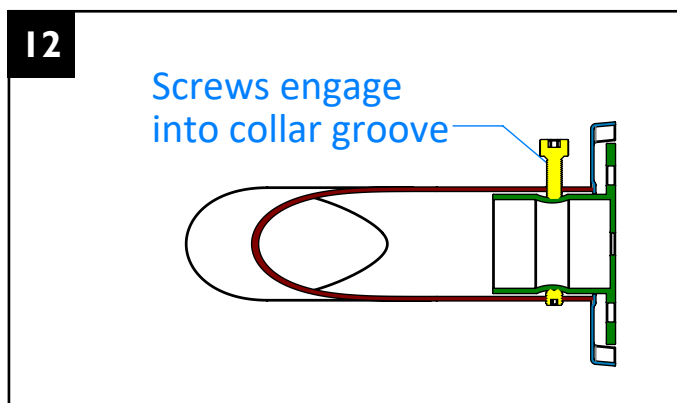
2. Place the cover plates onto each end of the back plates. (fig.10)



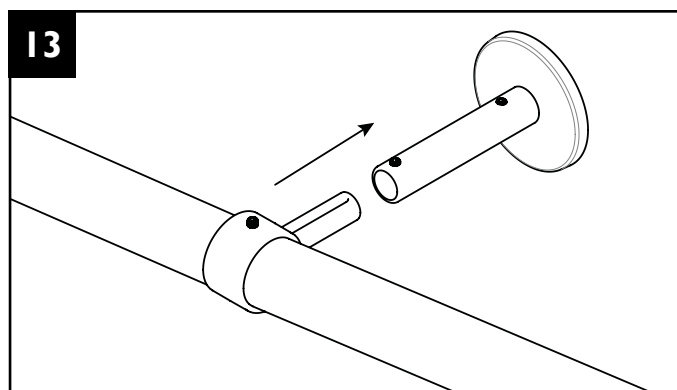
3. Slide the pole joiner halfway into the first pole and the centre bracket if used or the pole joiner cover if the centre is not being used. Slide the second pole onto the other half of the metal joiner. (fig. 11)



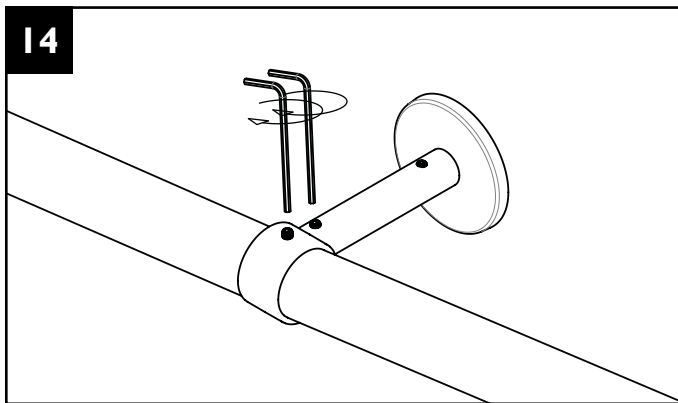
4. Fix the pole onto the back plates and tighten the screw into the collar groove. (fig. 12)



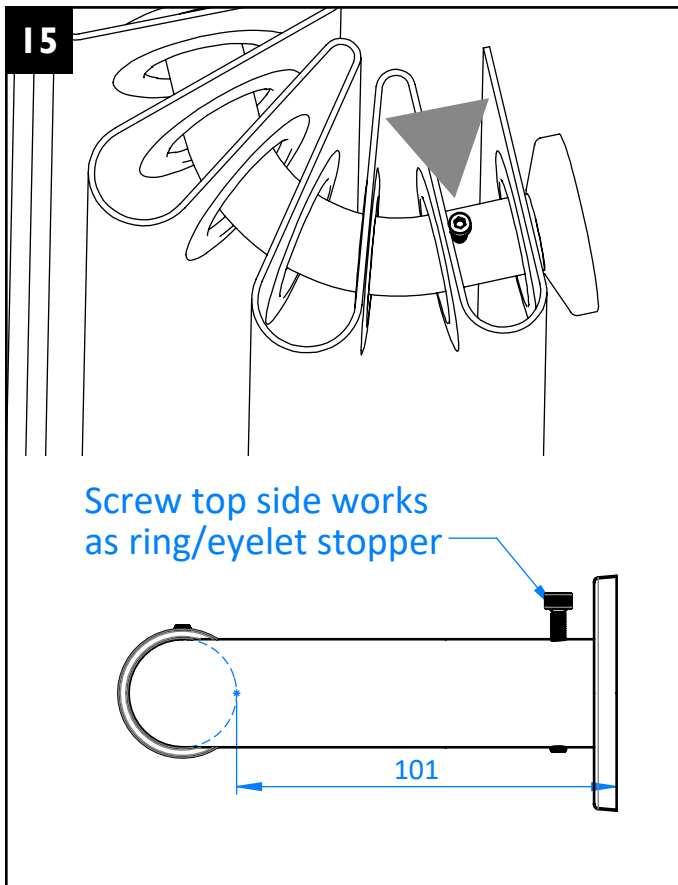
5. If using a centre bracket, insert into the arm and back plate. The bracket can be adjusted to your desired projection. (fig. 13)



6. Secure the centre bracket by tightening the grub screws on the bracket arm. (fig. 14)



7. Remove the top grub screw on the two side brackets so that the last eyelet/ring can be placed between the back plate and the grub screw. Replace the grub screw. (fig 15)



If the centre bracket is not required

1. We always recommend a centre bracket for poles if the total length is more than 120cm. (fig. 16) If two poles are joined less than 120cm, use the pole joiner cover.
2. Replace centre bracket with pole joiner cover, and follow instructions 3-7 'Assembling the pole'. (figs 9-14)

