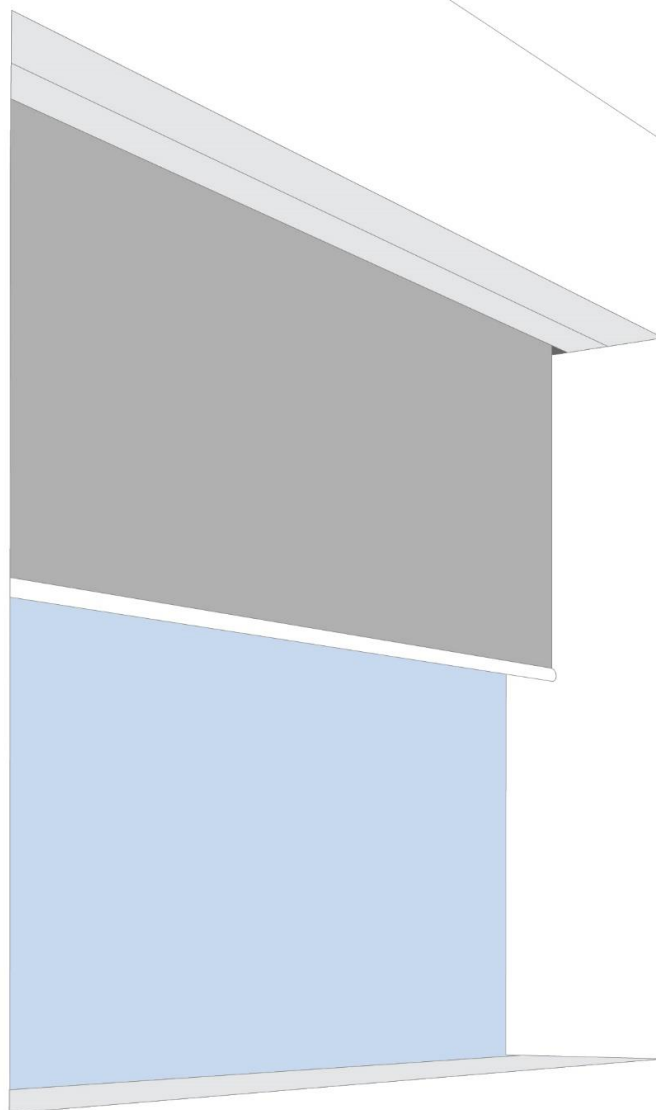


INSTALLING BLINDSPACE®

STANDARD HEADBOX WITH TWO FLANGES



SCAN FOR MORE
INSTRUCTIONS

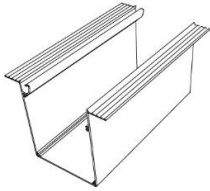


INSTALLING BLINDSPACE®

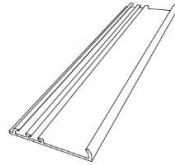
STANDARD HEADBOX WITH TWO FLANGES

NOTE: Millimeter precision is important for perfect end result. Boxes must be securely attached within ceiling or wall. System fixings are never supplied by Blindspace, installer to ensure their fixing are suitable.

PARTS



Track with Two Flanges



End set



Curved Section



Track with Two Flanges



End set

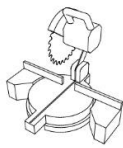


Curved Section

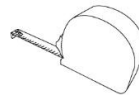
TOOLS



Screw Driver/Driller



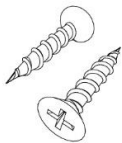
Power Chop Saw



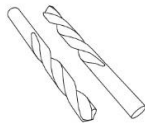
Tape Measure



Spirit Level



Countersunk Screws



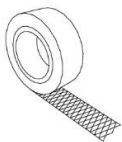
Drill Bits



Stepped Drill Bit



Countersink Drill Bit



Scrim Tape



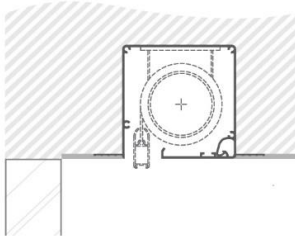
Squeegee

INSTALLING BLINDSPACE®

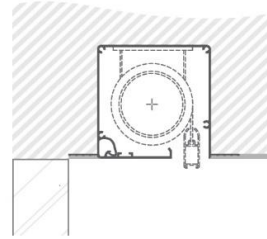
STANDARD HEADBOX WITH TWO FLANGES

BLIND CONFIGURATION OPTIONS

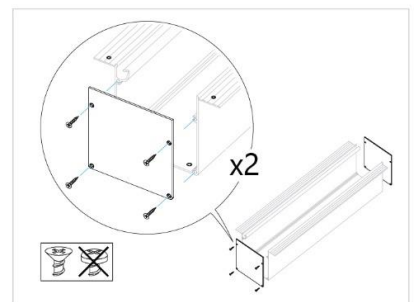
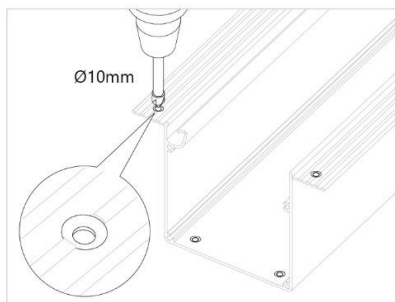
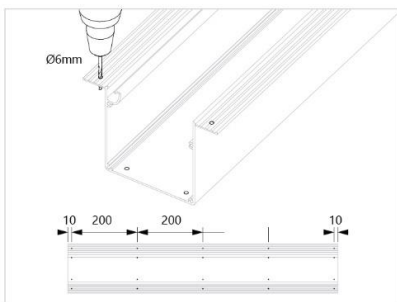
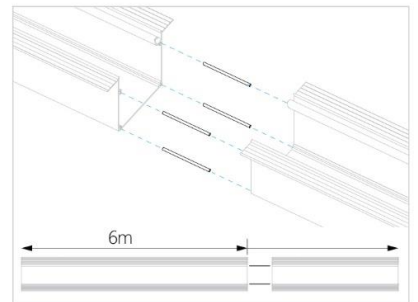
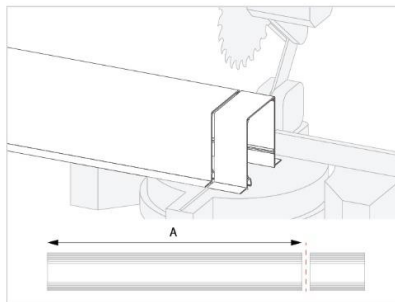
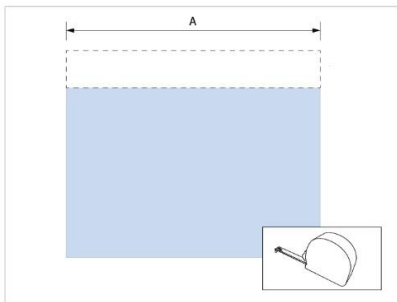
Towards the Window



Towards the Room



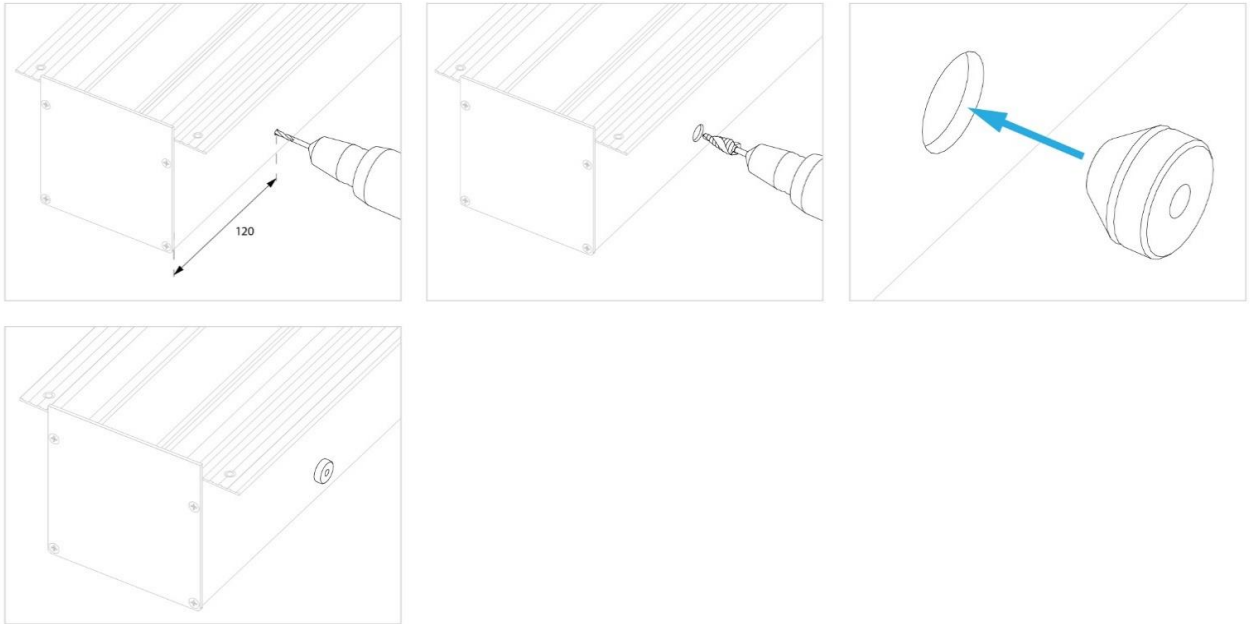
PREPARE THE BOX



INSTALLING BLINDSPACE®

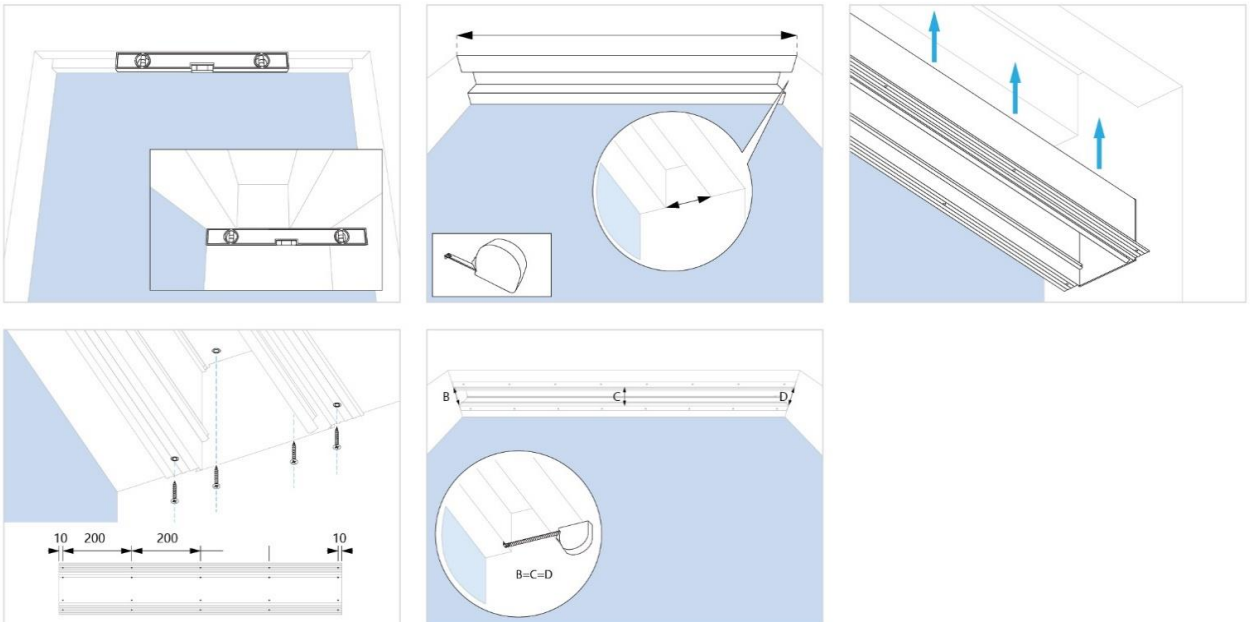
STANDARD HEADBOX WITH TWO FLANGES

EXAMPLE CABLE ENTRY POSITION



INSTALL HEADBOX

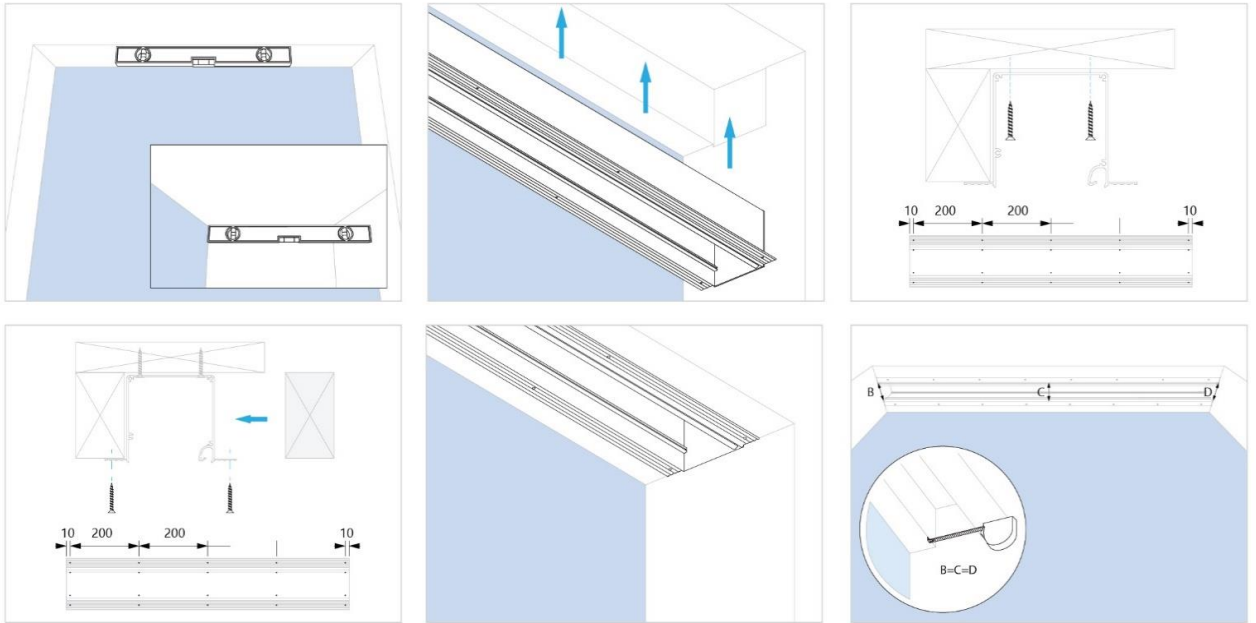
OPTION A: PREPARED POCKET INSTALLATION



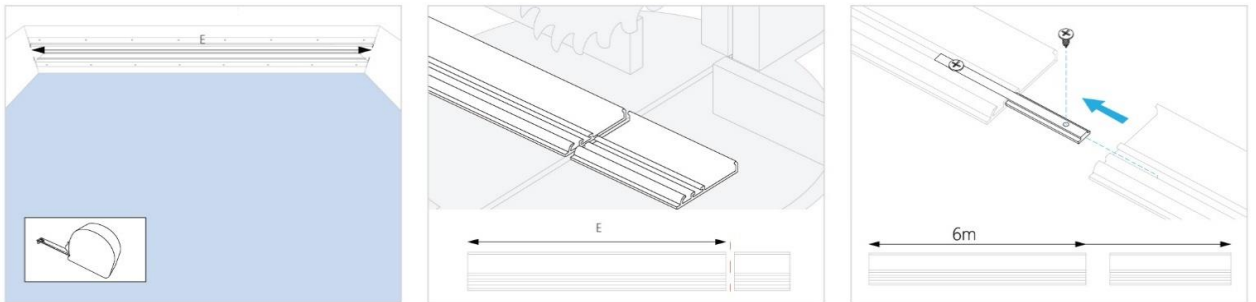
INSTALLING BLINDSPACE®

STANDARD HEADBOX WITH TWO FLANGES

OPTION B: BOX FIRST INSTALLATION



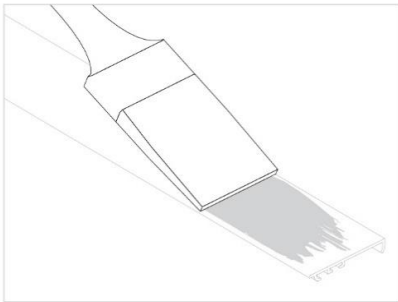
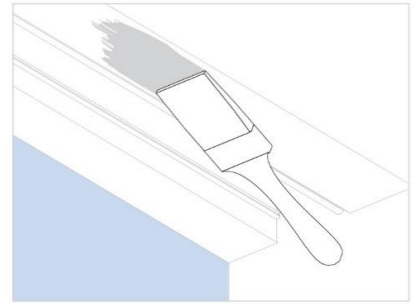
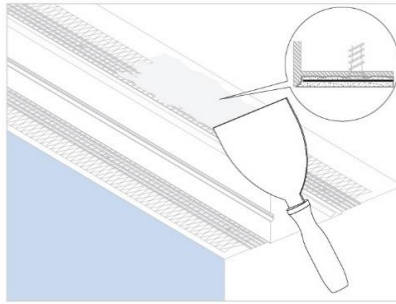
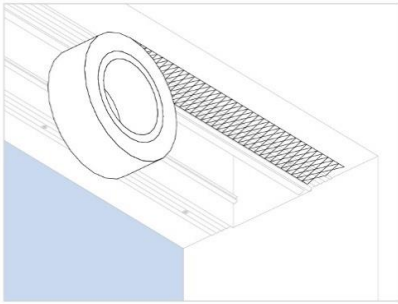
PREPARE COVER



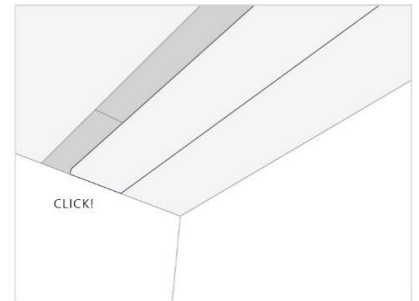
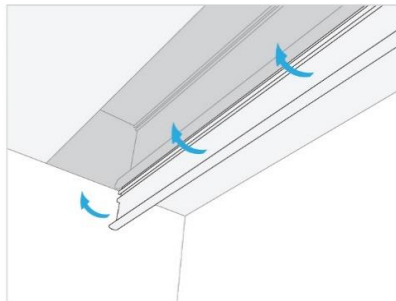
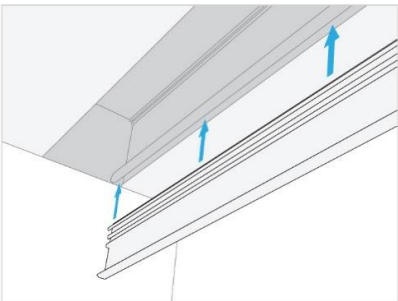
INSTALLING BLINDSPACE®

STANDARD HEADBOX WITH TWO FLANGES

SCIM COAT AND PAINT



CLOSE BOX



OPEN BOX

