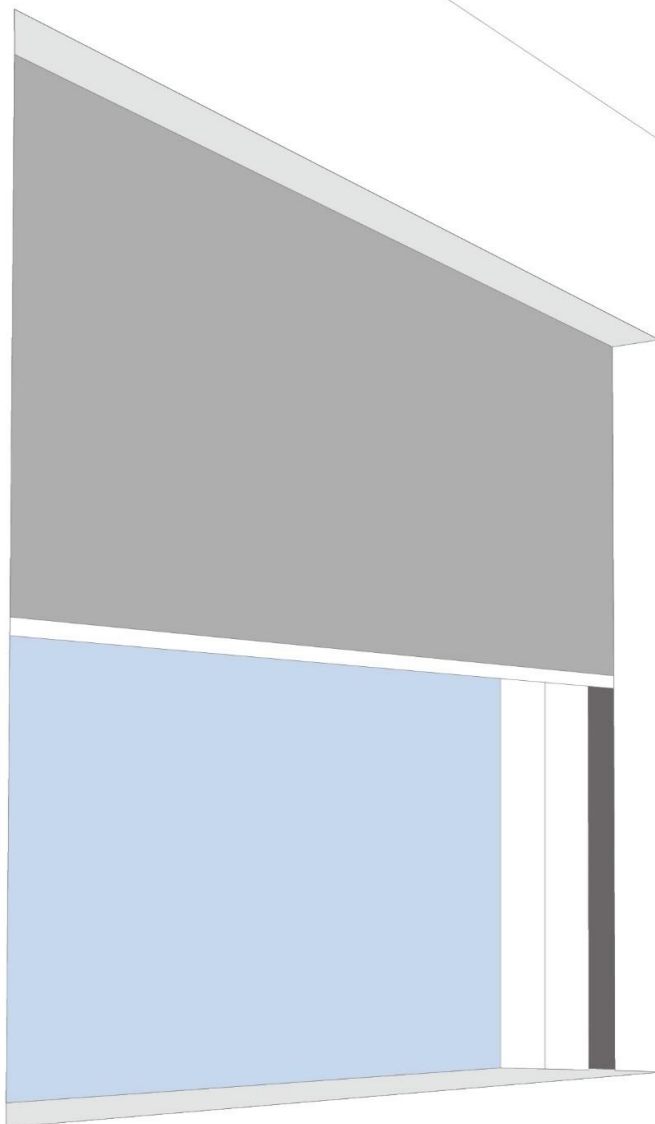


INSTALLING BLINDSPACE®

STANDARD HEADBOX & SIDE BOXES



SCAN FOR MORE
INSTRUCTIONS

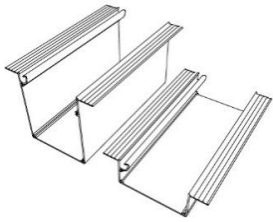


INSTALLING BLINDSPACE®

STANDARD HEADBOX & SIDE BOXES

NOTE: Millimeter precision is important for perfect end result. Boxes must be securely attached within ceiling or wall. System fixings are never supplied by Blindspace, installer to ensure their fixing are suitable.

PARTS



Boxes



Cover



End caps



Splice Pins



Splice Plates



Hole Grommet

TOOLS



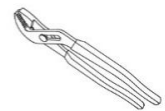
Tin Snips



Screw Driver/Driller



Power Chop Saw



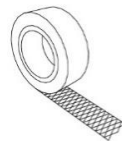
Pliers



Tape Measure



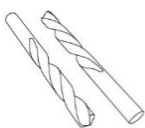
Spirit Level



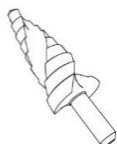
Scrim Tape



Countersunk Screws



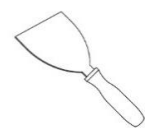
Drill Bits



Stepped Drill Bit



Countersink Drill Bit



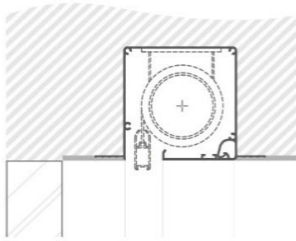
Squeegee

INSTALLING BLINDSPACE®

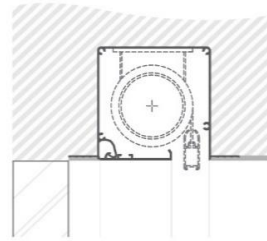
STANDARD HEADBOX & SIDE BOXES

BLIND CONFIGURATION OPTIONS

Towards the Window

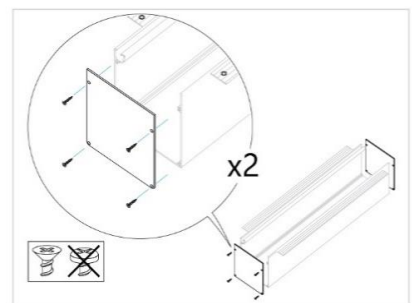
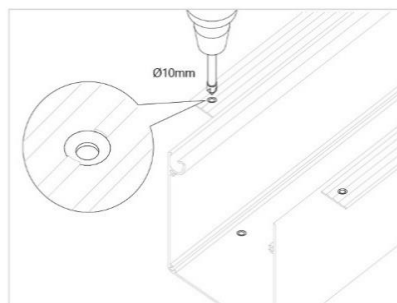
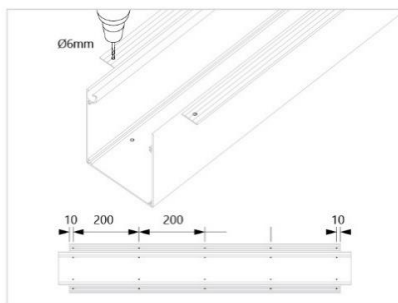
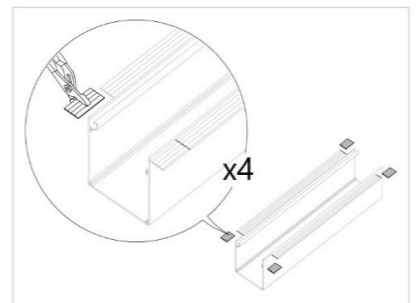
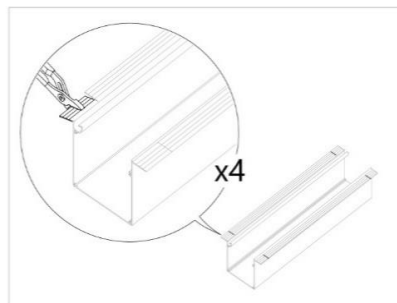
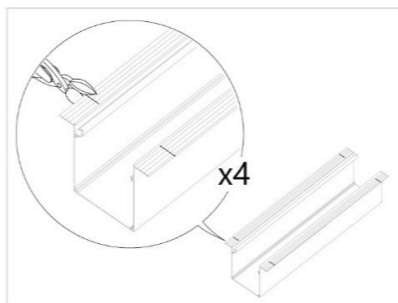
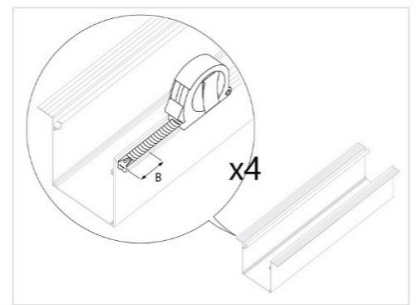
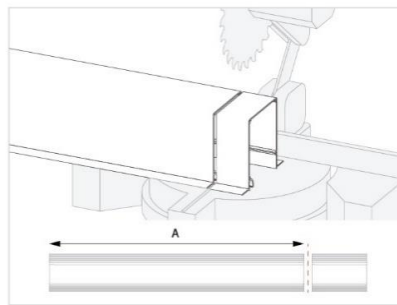
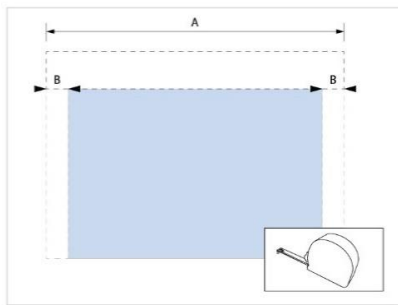


Towards the Room



PREPARE BOXES

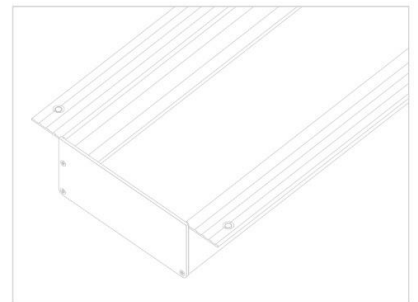
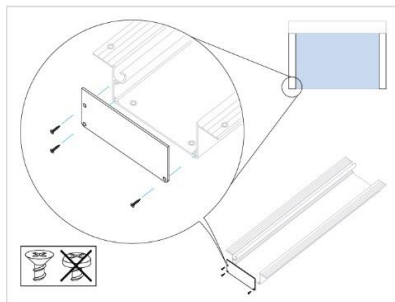
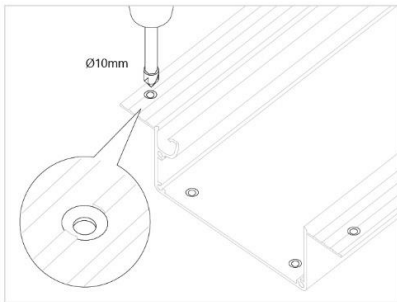
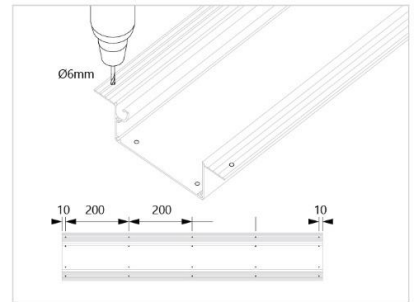
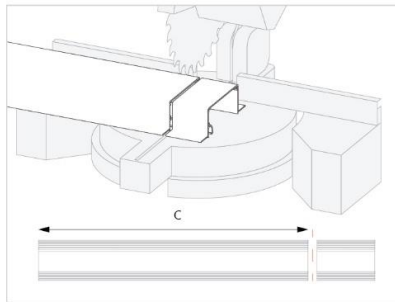
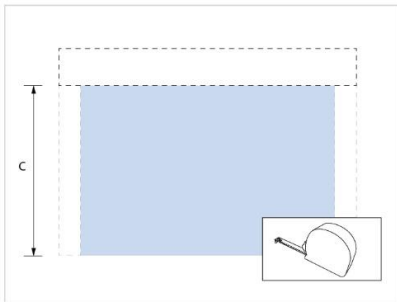
Prepare Headbox



INSTALLING BLINDSPACE®

STANDARD HEADBOX & SIDE BOXES

Prepare Sideboxes

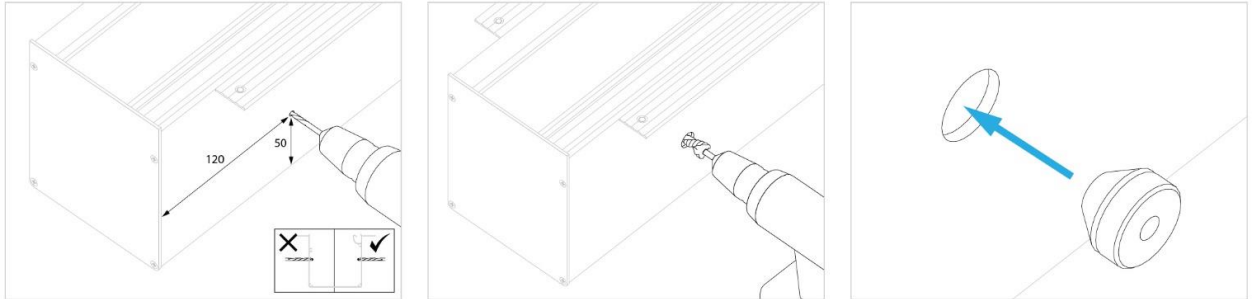


INSTALLING BLINDSPACE®

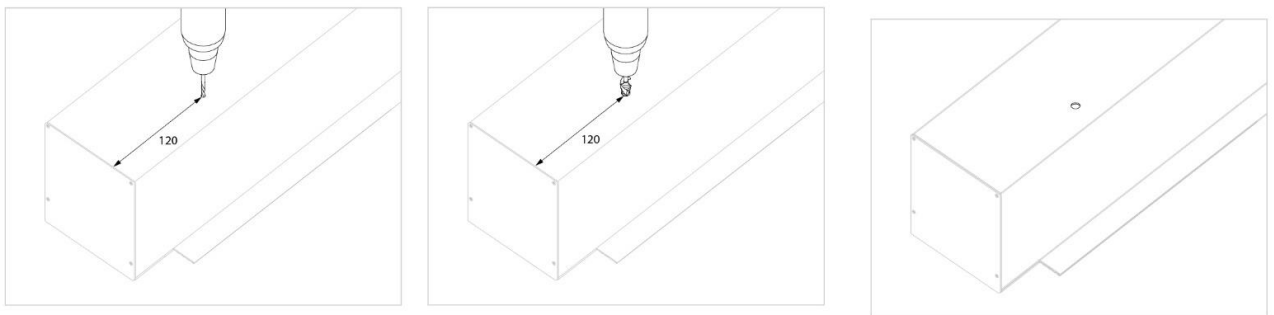
STANDARD HEADBOX & SIDE BOXES

EXAMPLE CABLE ENTRY POSITIONS

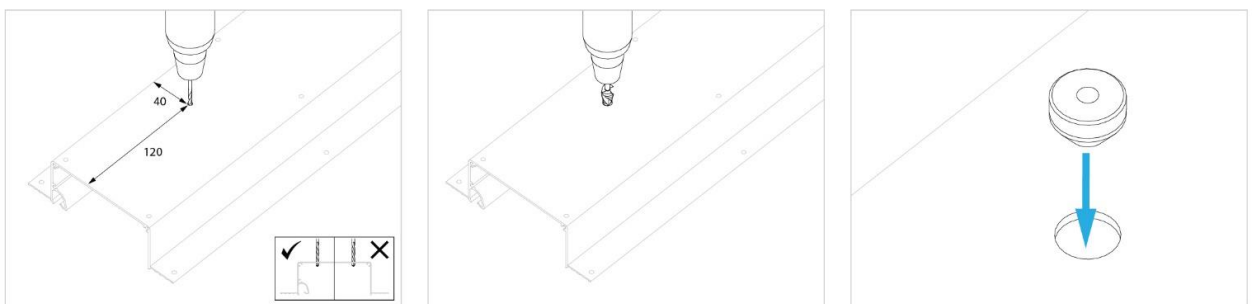
Option 1 (Headbox)



Option 2 (Headbox - Top)



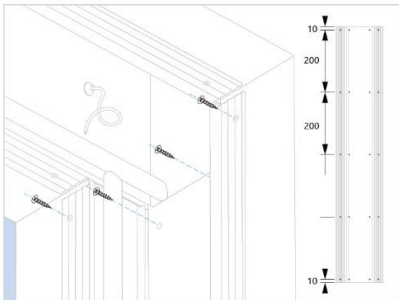
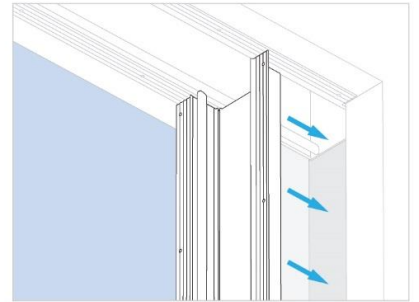
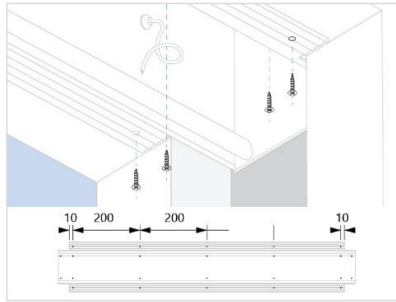
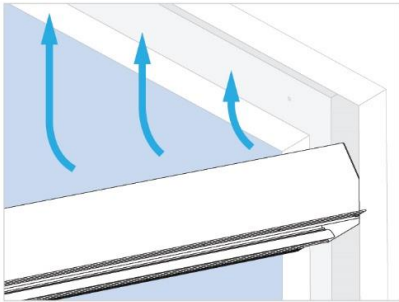
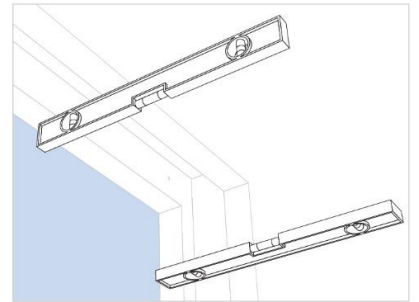
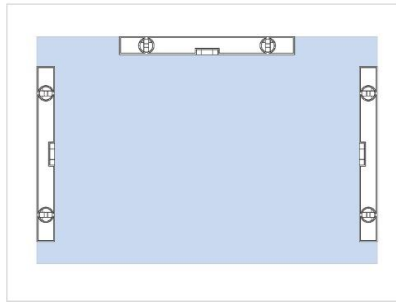
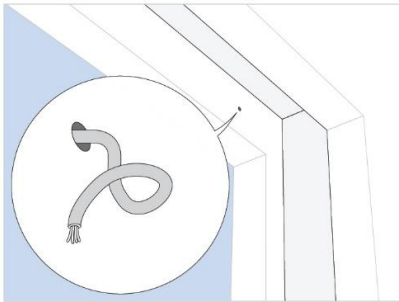
Option 3 (Sidebox)



INSTALLING BLINDSPACE®

STANDARD HEADBOX & SIDE BOXES

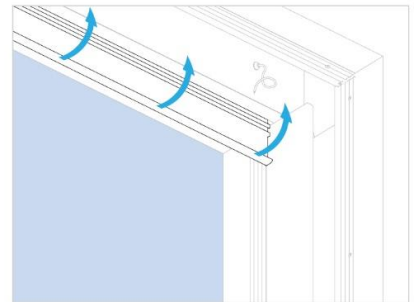
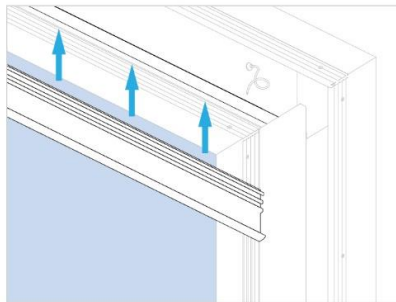
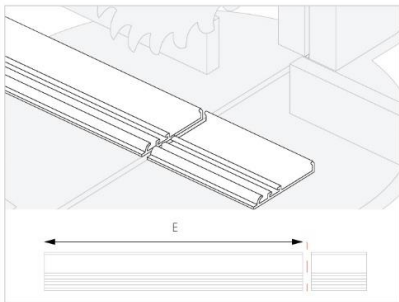
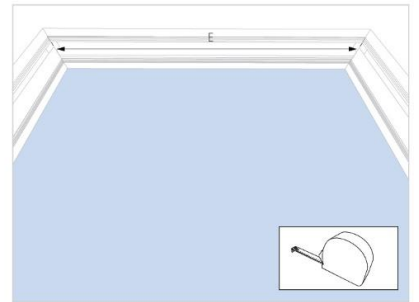
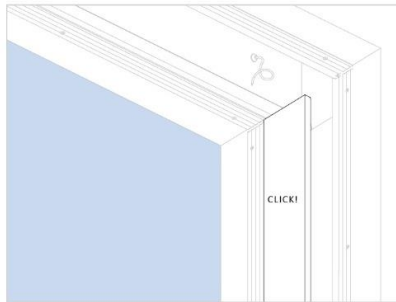
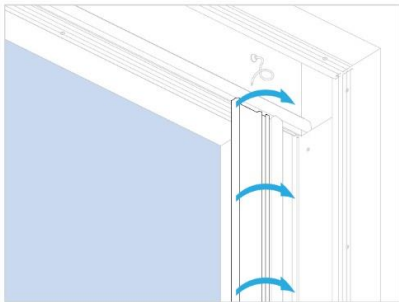
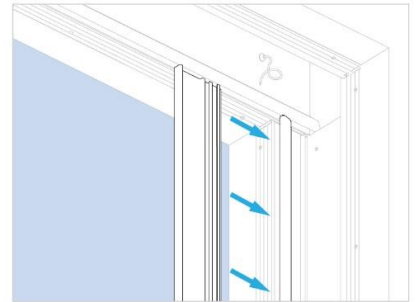
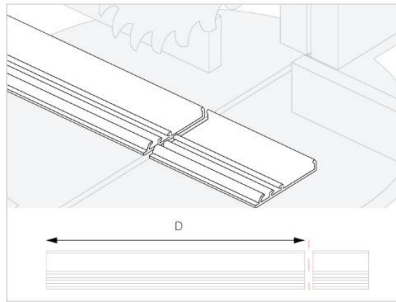
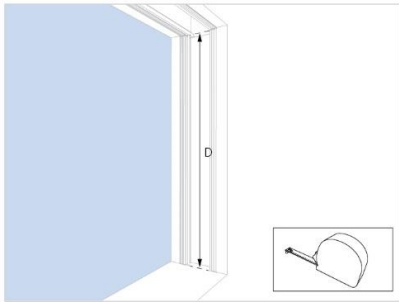
INSTALL BOXES



INSTALLING BLINDSPACE®

STANDARD HEADBOX & SIDE BOXES

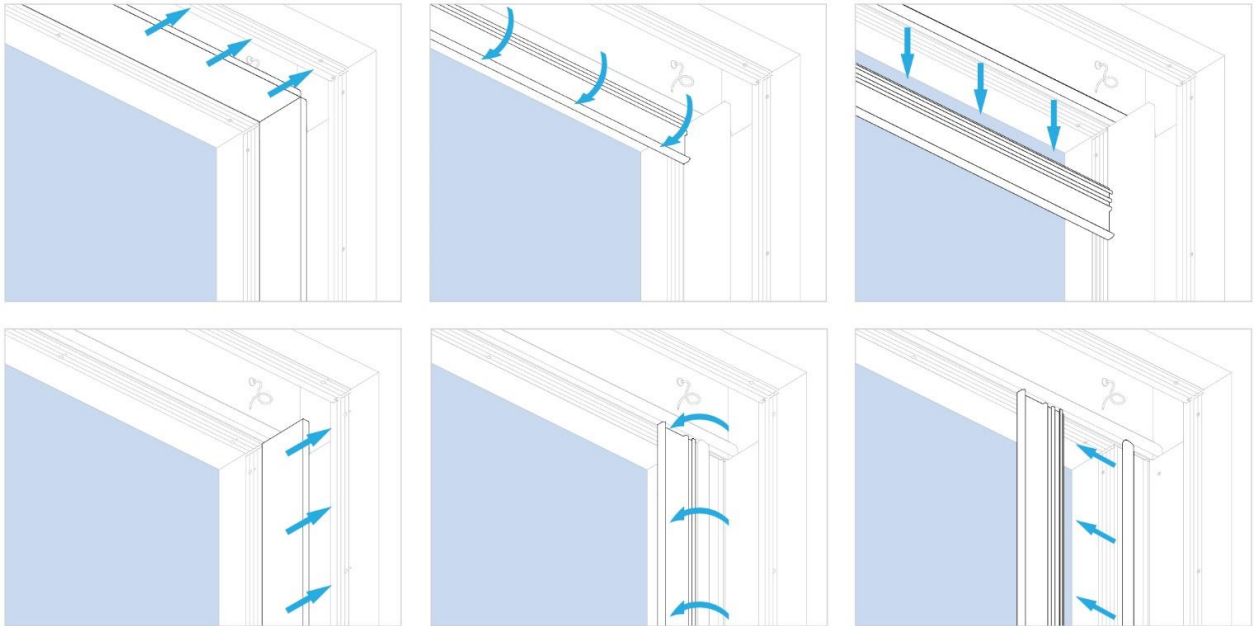
PREPARE COVER



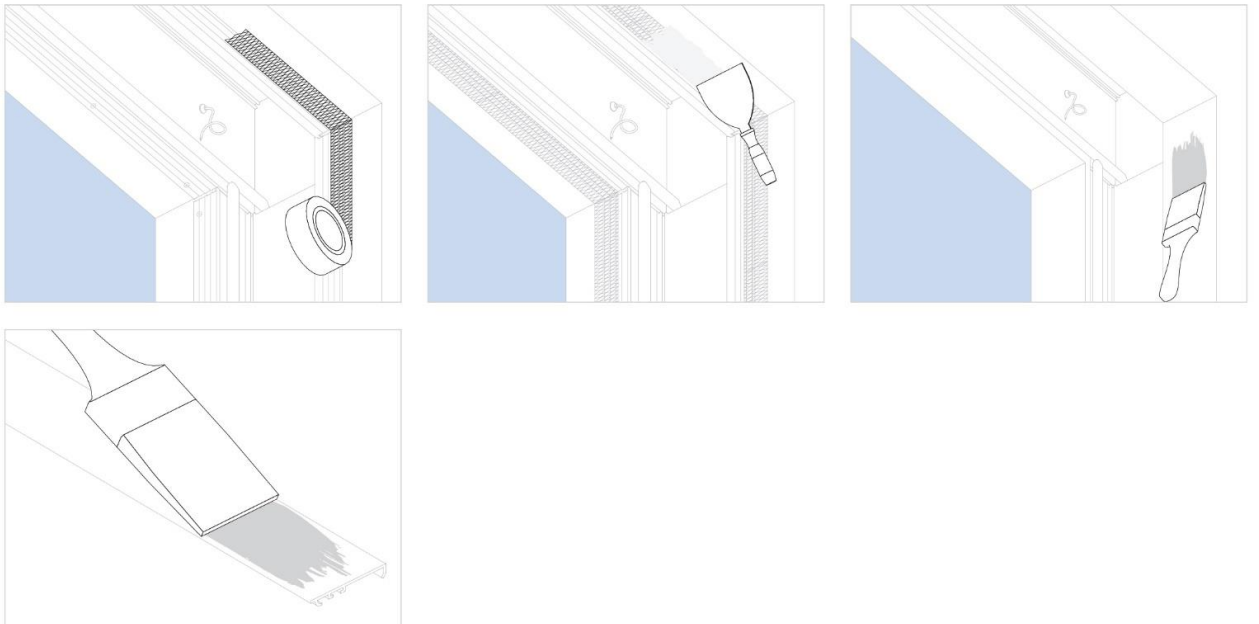
INSTALLING BLINDSPACE®

STANDARD HEADBOX & SIDE BOXES

OPEN COVER



SCIM COAT AND PAINT



INSTALLING BLINDSPACE®

STANDARD HEADBOX & SIDE BOXES

CLOSE COVER

