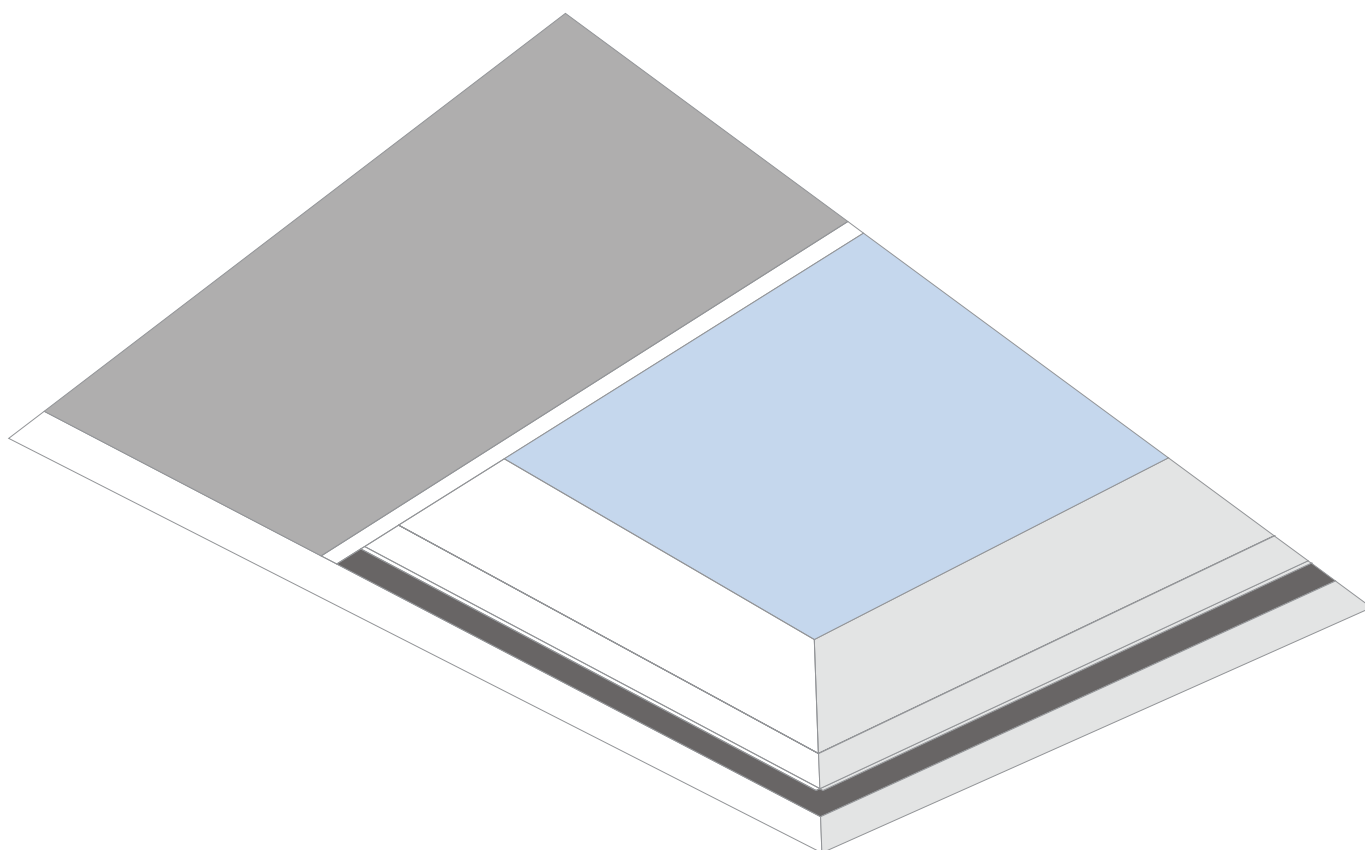


# INSTALLING BLINDSPACE®

## FOUR-SIDED FRAME FOR SKYLIGHT BLINDS



SCAN FOR  
WEB VERSION

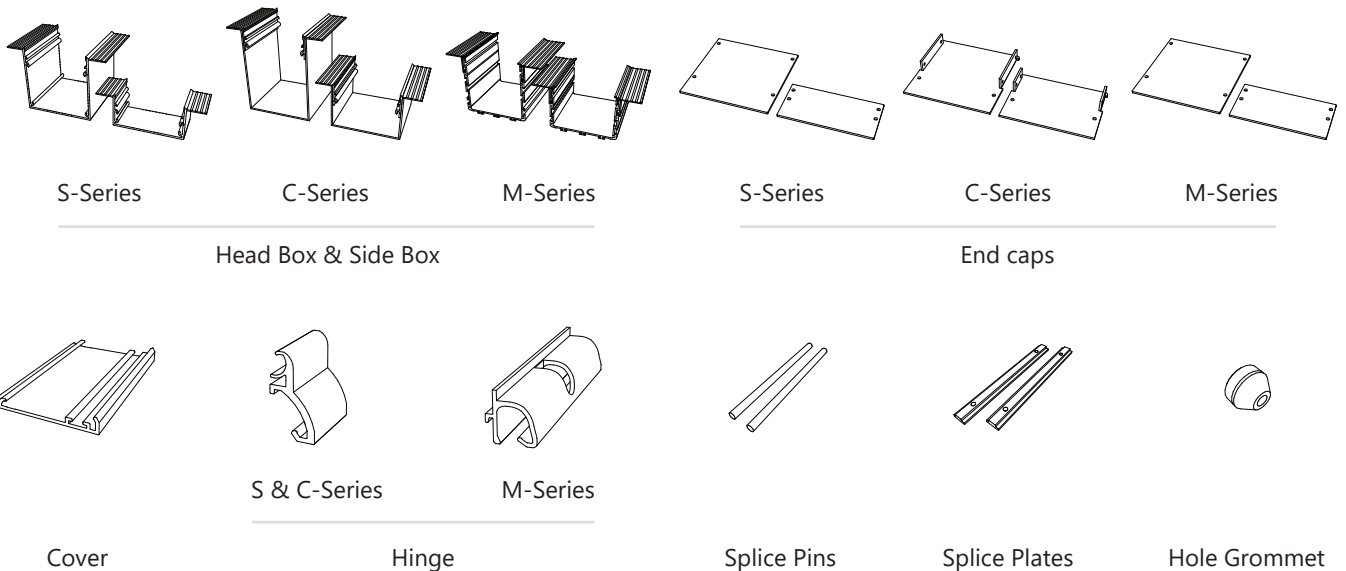


# INSTALLING BLINDSPACE®

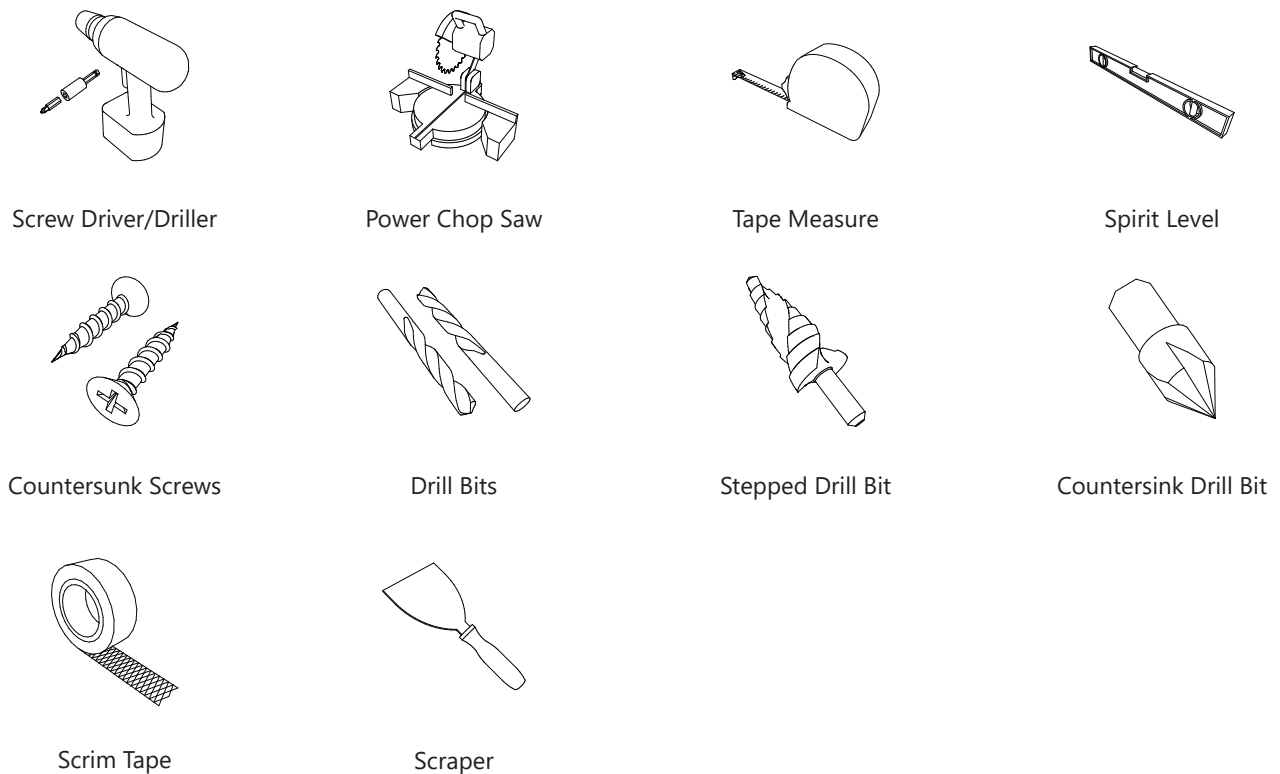
## FOUR-SIDED FRAME FOR SKYLIGHT BLINDS

**NOTE:** Millimeter precision is important for perfect end result. Boxes must be securely attached within the ceiling. System fixings are never supplied by Blindspace, installer to ensure their fixing are suitable.

### PARTS



### TOOLS

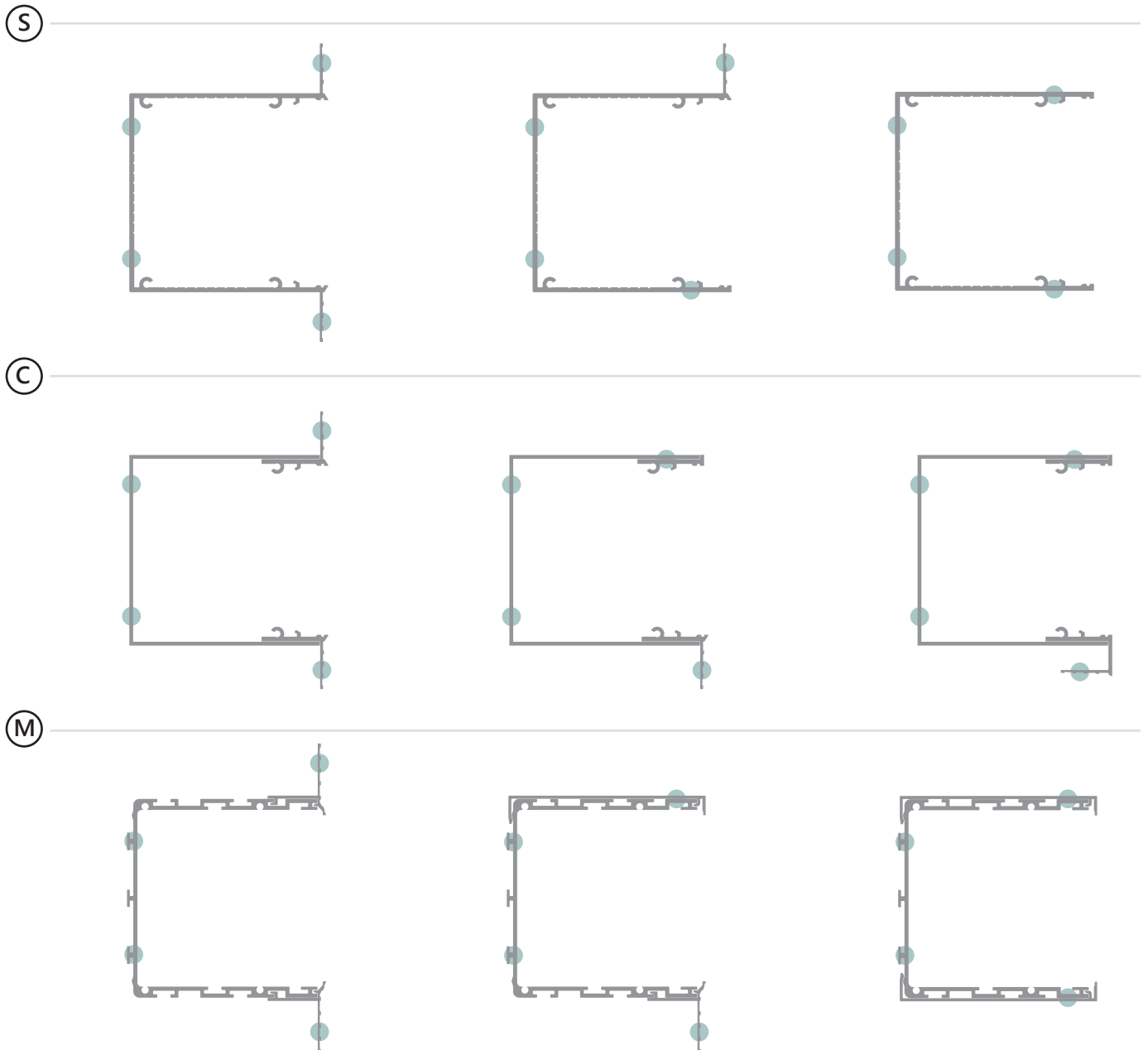


# INSTALLING BLINDSPACE®

## FOUR-SIDED FRAME FOR SKYLIGHT BLINDS

**NOTE:** These are example fixing points showing boxes with and without skim coat flanges. Boxes should be fixed in the back of the box and through the sides if recessed. Installer to ensure their fixing are suitable. Standard box with two skim coat flanges have been used for illustrative purposes.

### BOX FIXING POINTS

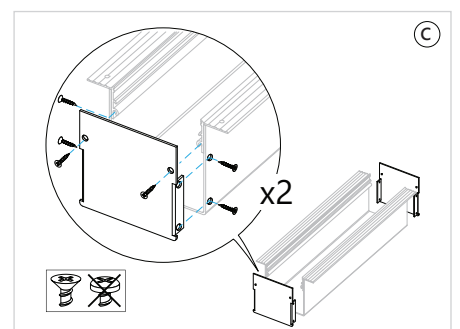
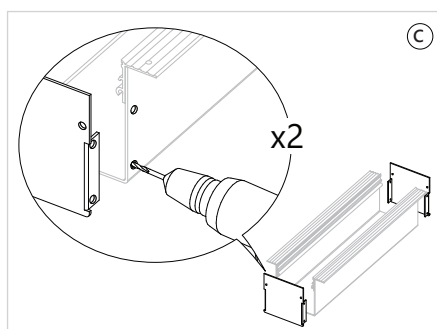
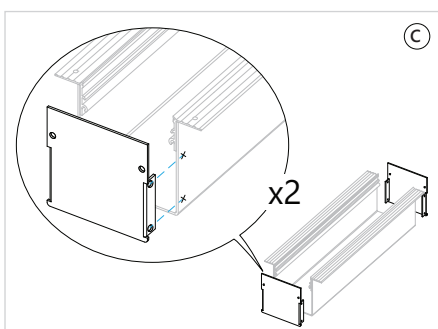
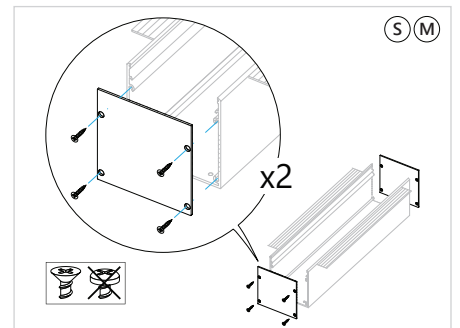
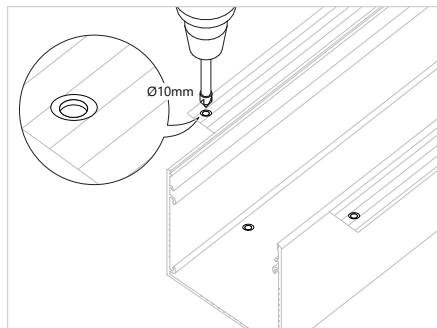
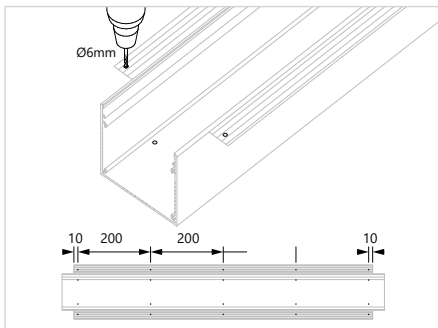
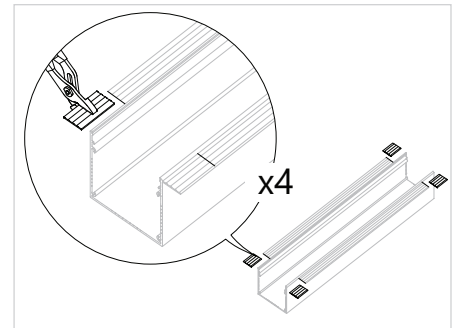
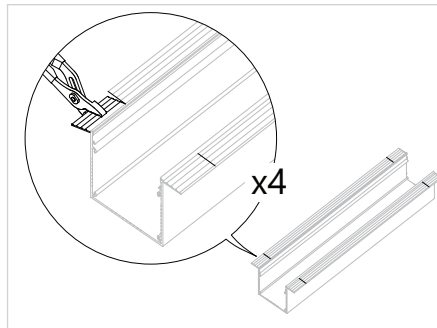
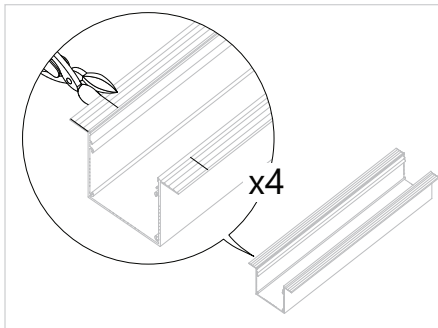
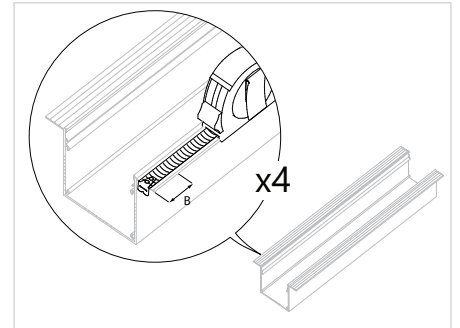
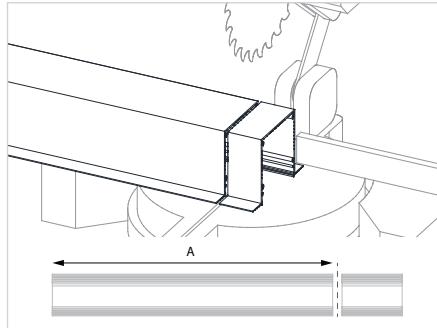
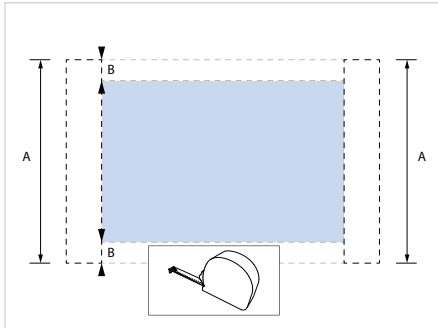


# INSTALLING BLINDSPACE®

## FOUR-SIDED FRAME FOR SKYLIGHT BLINDS

### PREPARE THE PRODUCT

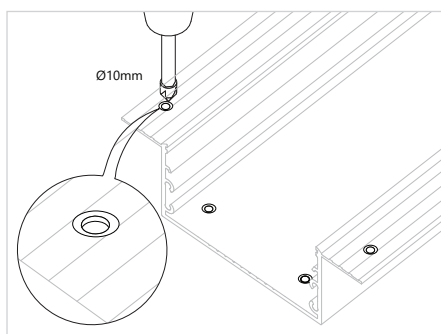
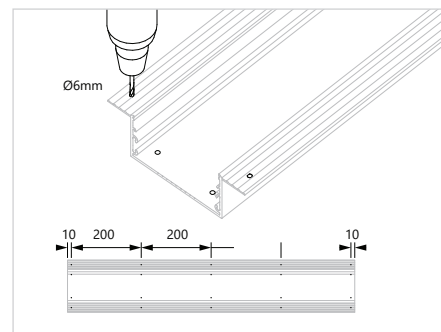
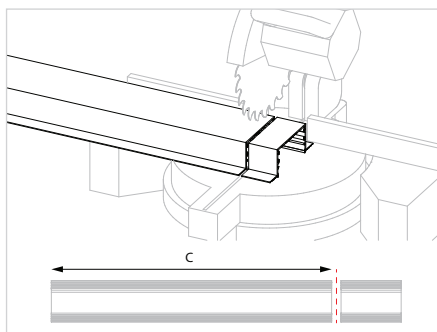
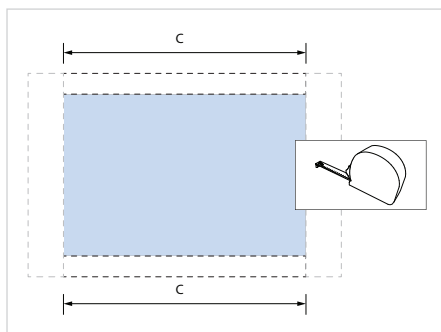
#### A1. Prepare the Head Box and Hem bar Box



# INSTALLING BLINDSPACE®

## FOUR-SIDED FRAME FOR SKYLIGHT BLINDS

### A2. Prepare the Side Box

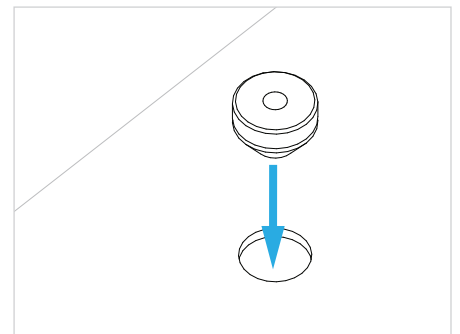
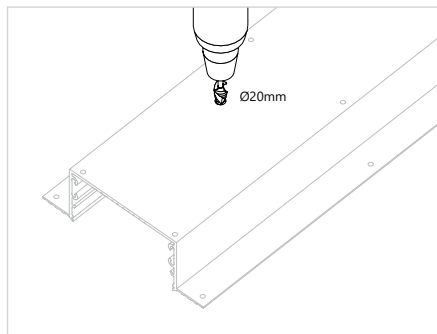
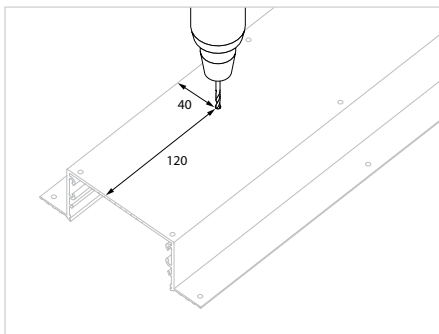
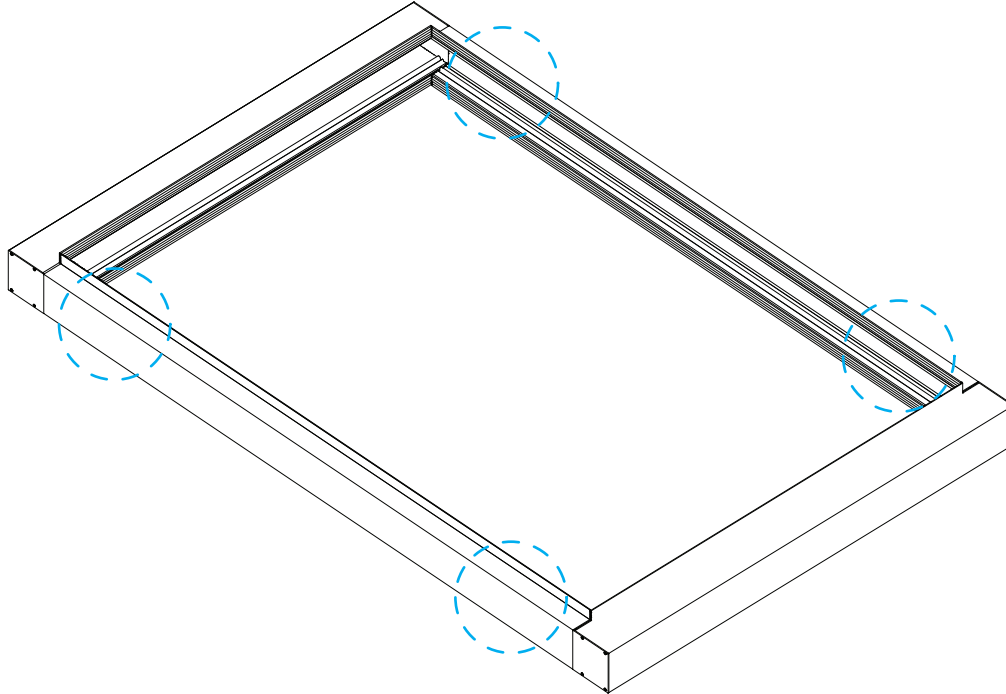


# INSTALLING BLINDSPACE®

## FOUR-SIDED FRAME FOR SKYLIGHT BLINDS

**CABLE ENTRY** *(To be agreed with Shading Specialist)*

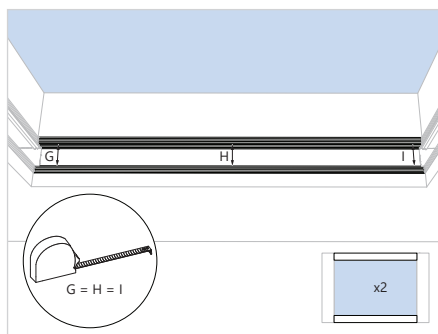
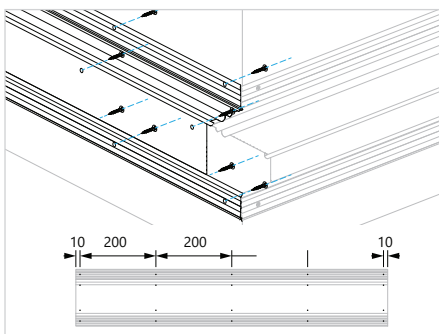
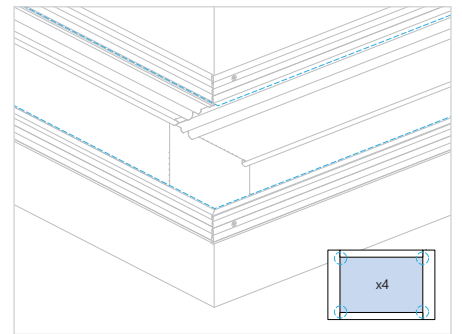
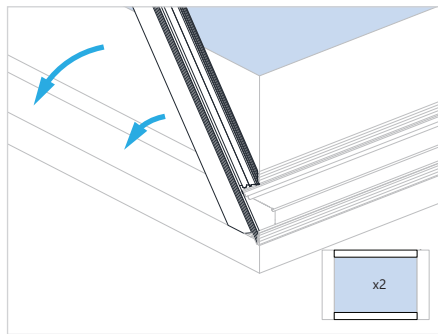
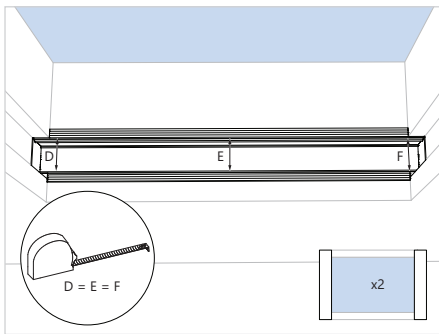
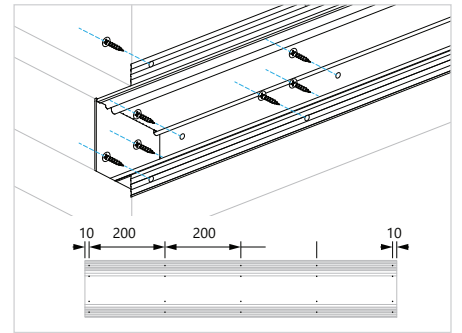
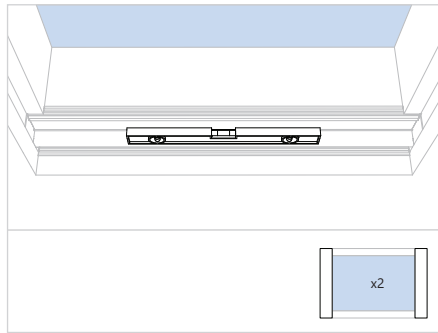
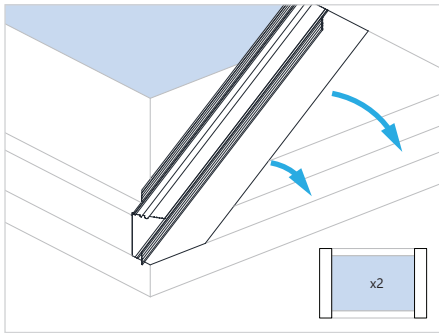
### Example Areas for Cable Entry



# INSTALLING BLINDSPACE®

## FOUR-SIDED FRAME FOR SKYLIGHT BLINDS

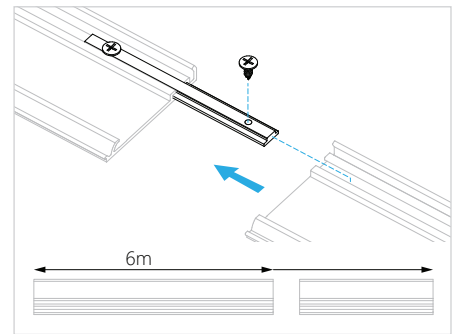
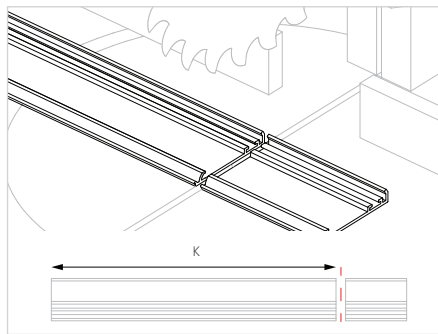
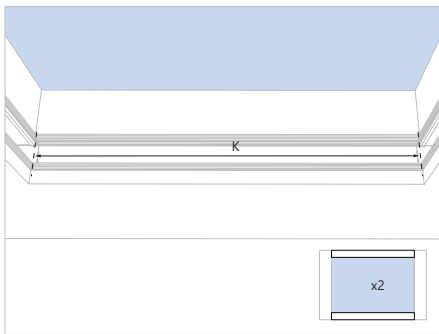
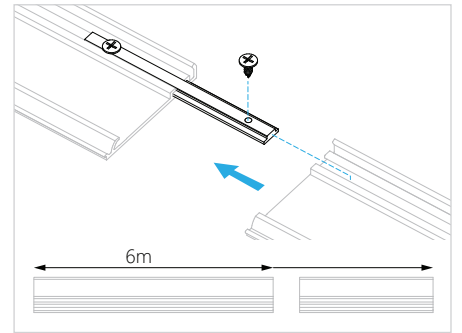
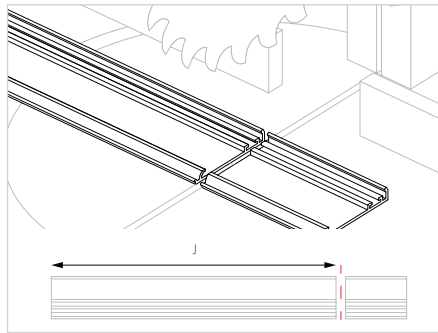
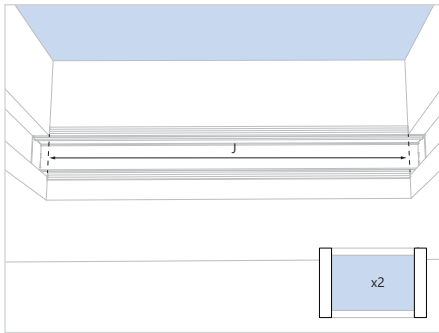
### INSTALL BOXES



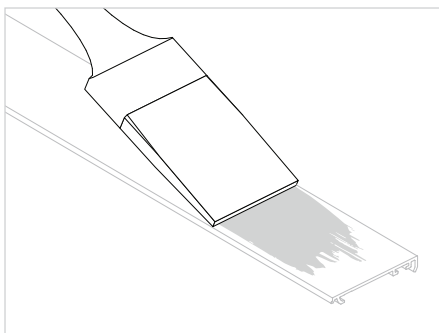
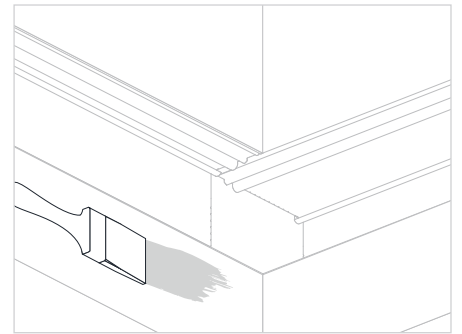
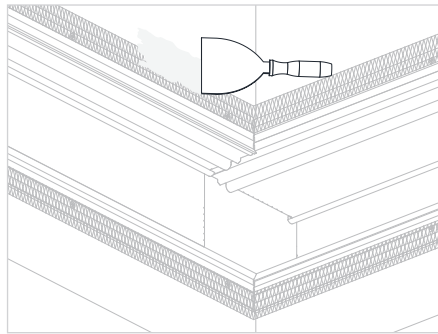
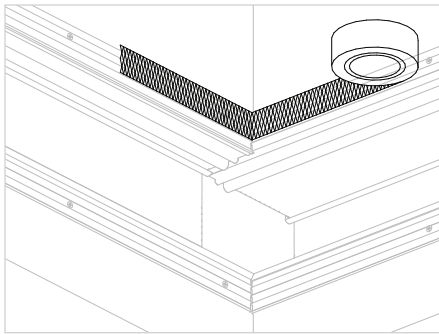
# INSTALLING BLINDSPACE®

## FOUR-SIDED FRAME FOR SKYLIGHT BLINDS

### PREPARE COVER



### FIX THE BOX

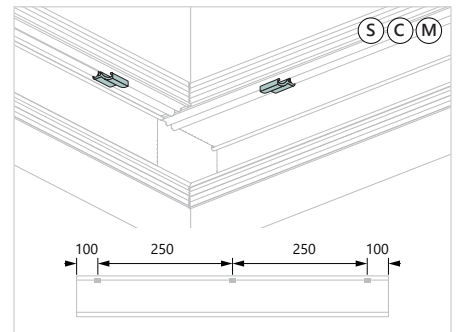
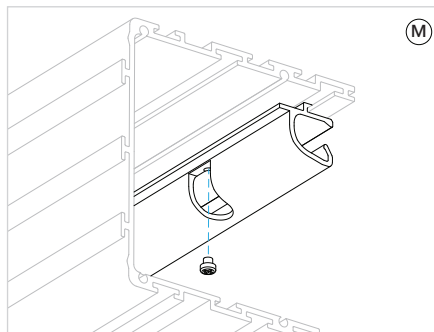
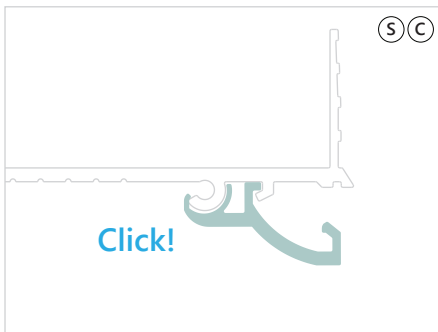
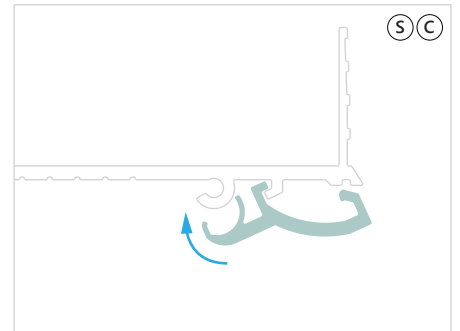
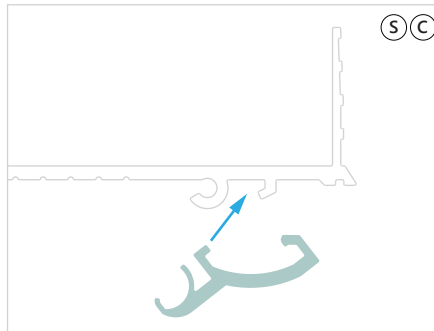
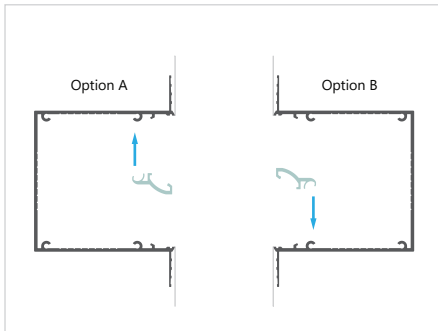




# INSTALLING BLINDSPACE®

## FOUR-SIDED FRAME FOR SKYLIGHT BLINDS

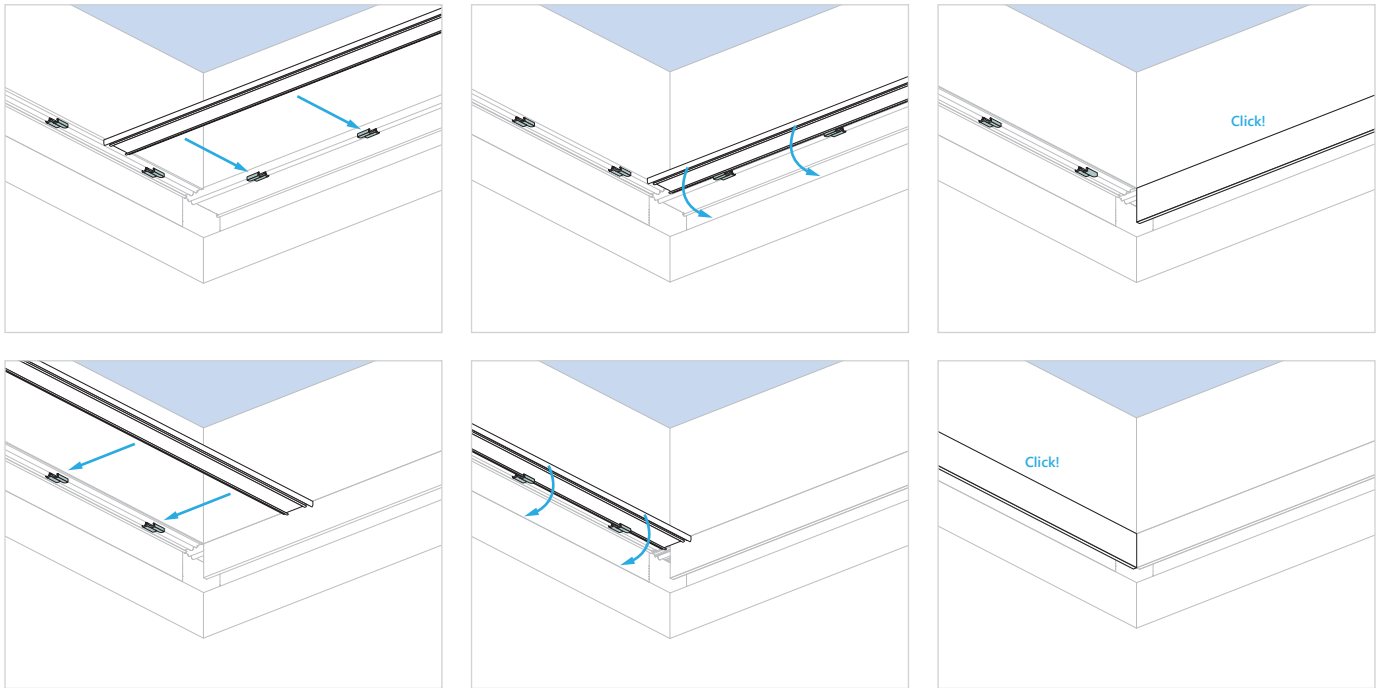
### HINGE



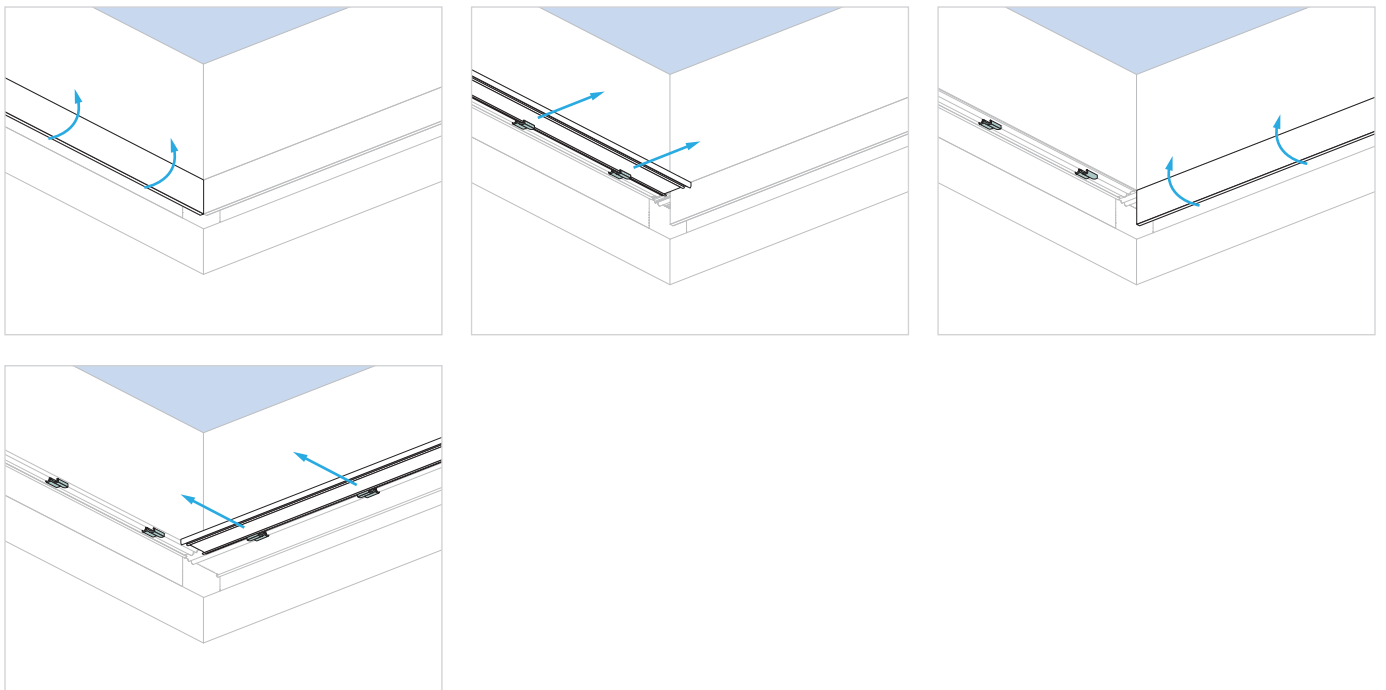
# INSTALLING BLINDSPACE®

## FOUR-SIDED FRAME FOR SKYLIGHT BLINDS

### CLOSE BOX



### OPEN BOX



# INSTALLING BLINDSPACE®

## FOUR-SIDED FRAME FOR SKYLIGHT BLINDS

FINISHED LOOK

