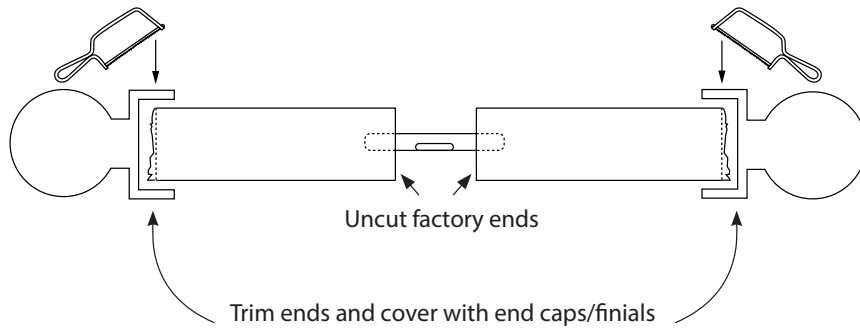


SYSTEM 30 STRAIGHT TRACK

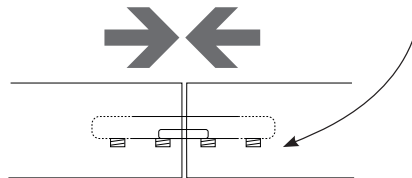
- 1 Join together factory cut ends and trim off the excess at track ends only



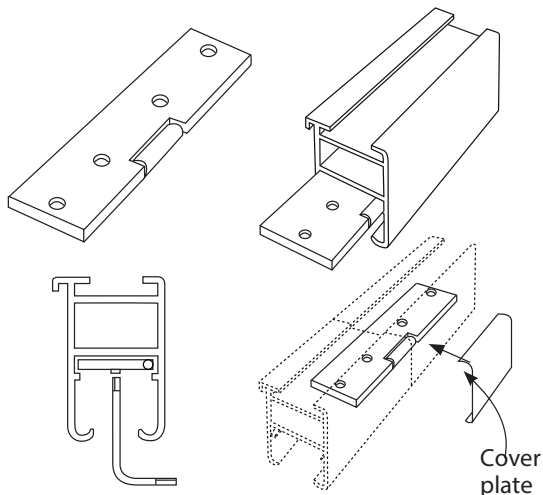
- 2 Place a support bracket as close as possible to the join

- 3 Ensure the joins are butted together tightly before tightening lock screws

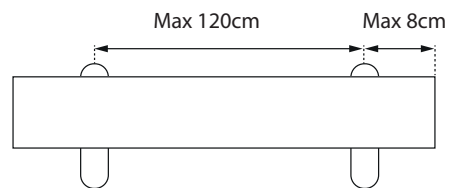
With careful installation gliders will pass over the track joins. There is no limit to maximum track length



TRACK JOINER

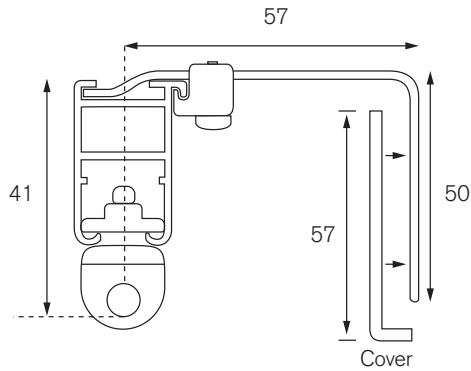


BRACKET SPACING

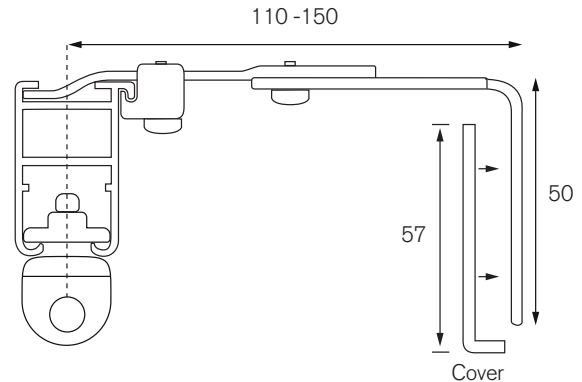


BRACKETS AND FITTINGS

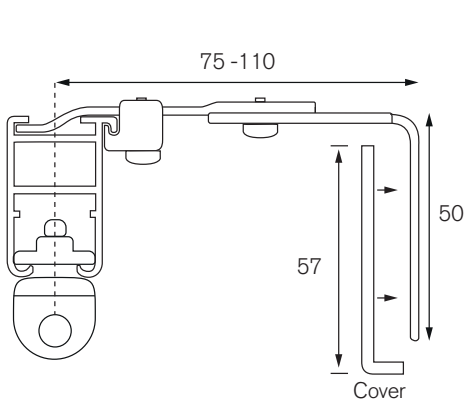
FACE FIX BRACKETS FOR SYSTEM 30 All dimensions are in mm



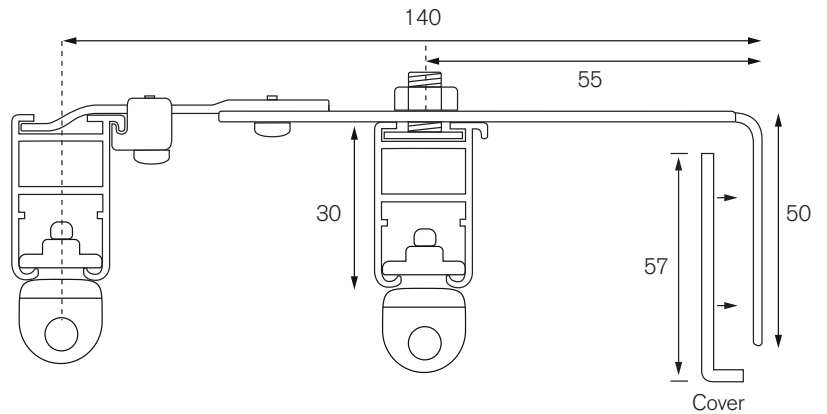
Standard bracket



Heavy duty adjustable 110 -150 bracket

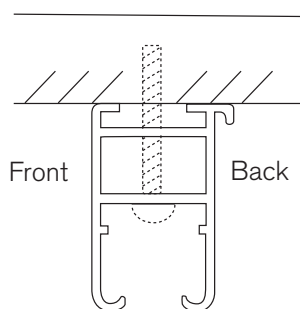


Heavy duty adjustable 75 -110 bracket



Double track bracket

DIRECT CEILING FIX USING PRE DRILLED TRACK



DRAWROD CARRIER

