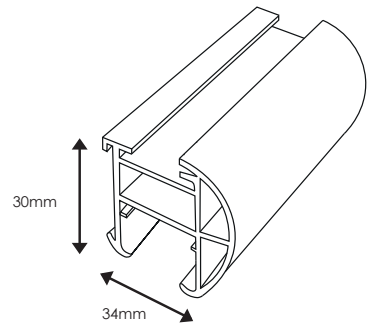
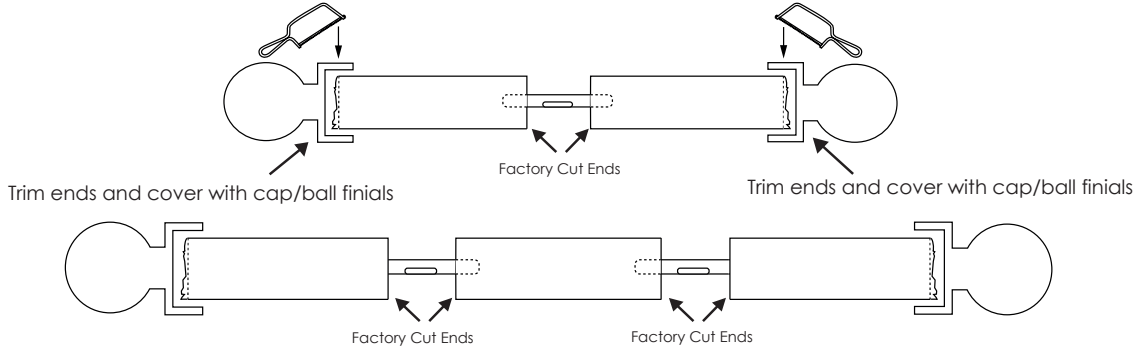


**ROUND38 STRAIGHT TRACK**

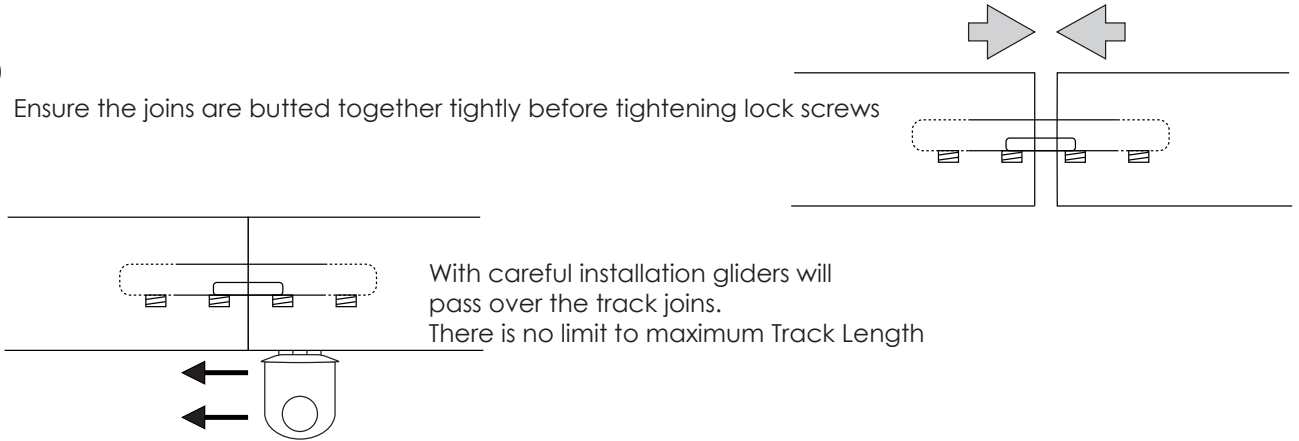


**1** Join together factory cut ends and trim off the excess at the track ends only

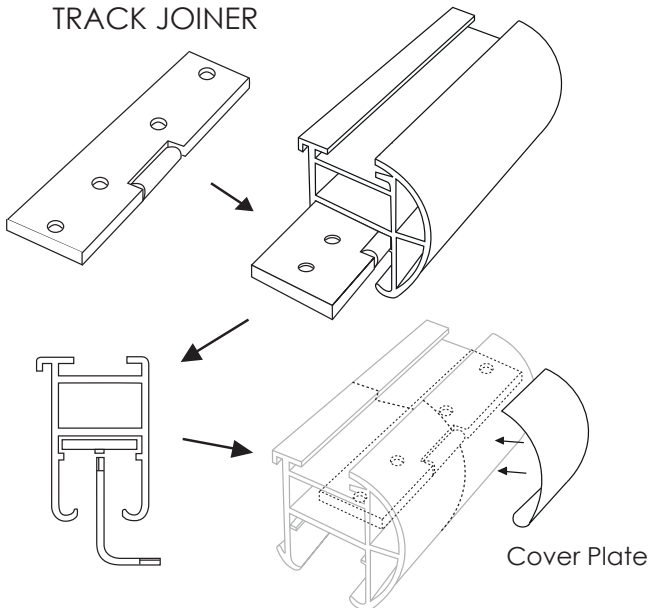


**2** Place a support bracket as close as possible to the join

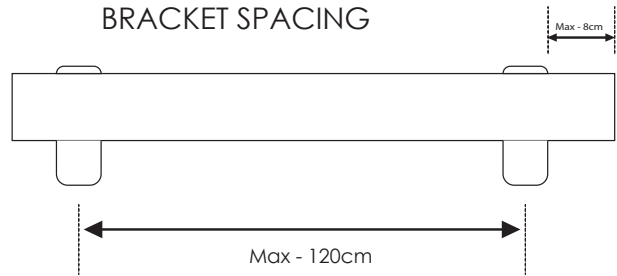
**3** Ensure the joins are butted together tightly before tightening lock screws



**TRACK JOINER**

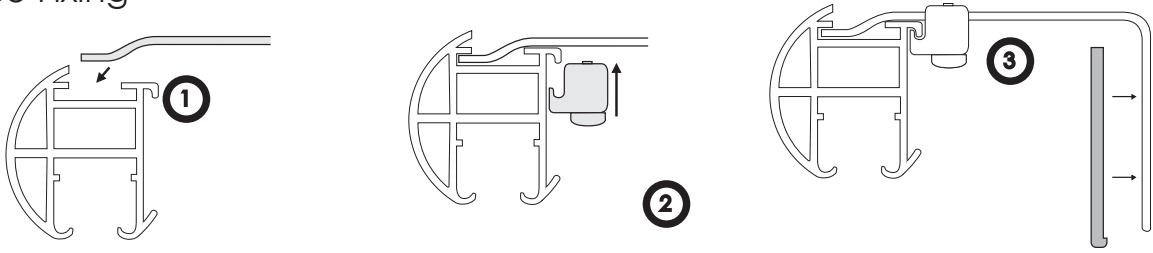


**BRACKET SPACING**

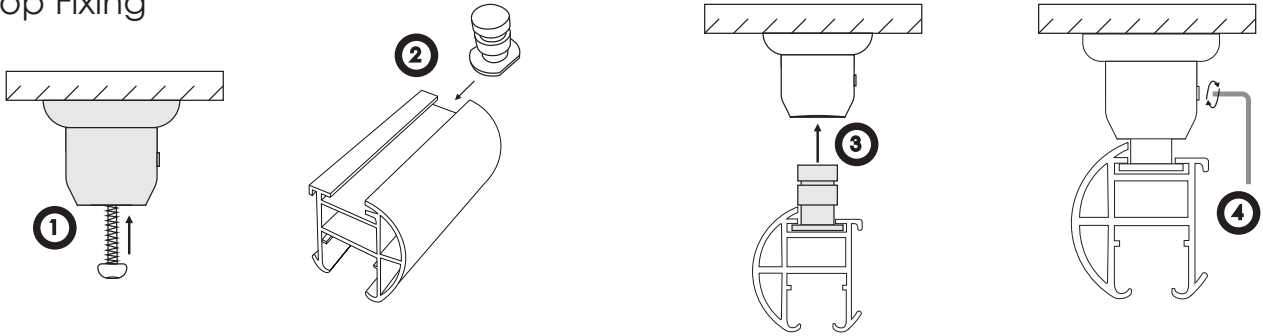


# BRACKETS AND FITTINGS

## Face Fixing



## Top Fixing



## Recess Fixing

