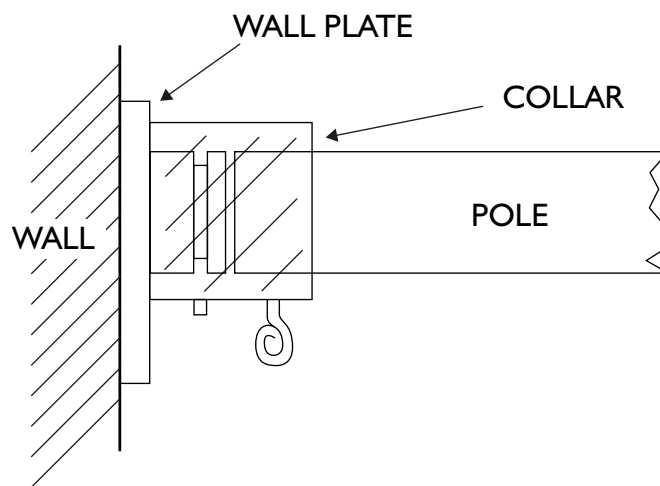


## FITTING 2 PART RECESS BRACKETS



- 1 Fit the wall plate to the wall
- 2 Trim pole to length ensuring that the pole fits closely up to the wallplate
- 3 Slide the collar onto the pole
- 4 Offer the pole up to the wall plate, slide the collar over the wall plate
- 5 Tighten both the grub screw and the eye

