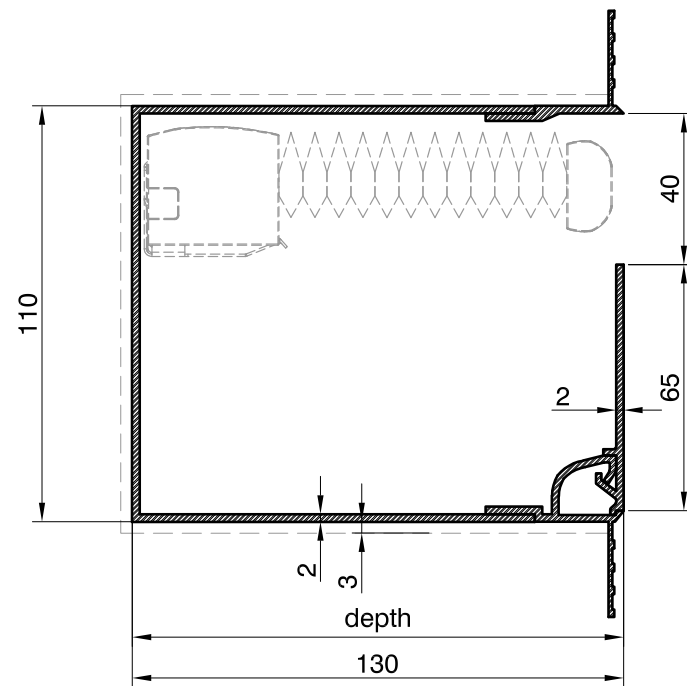
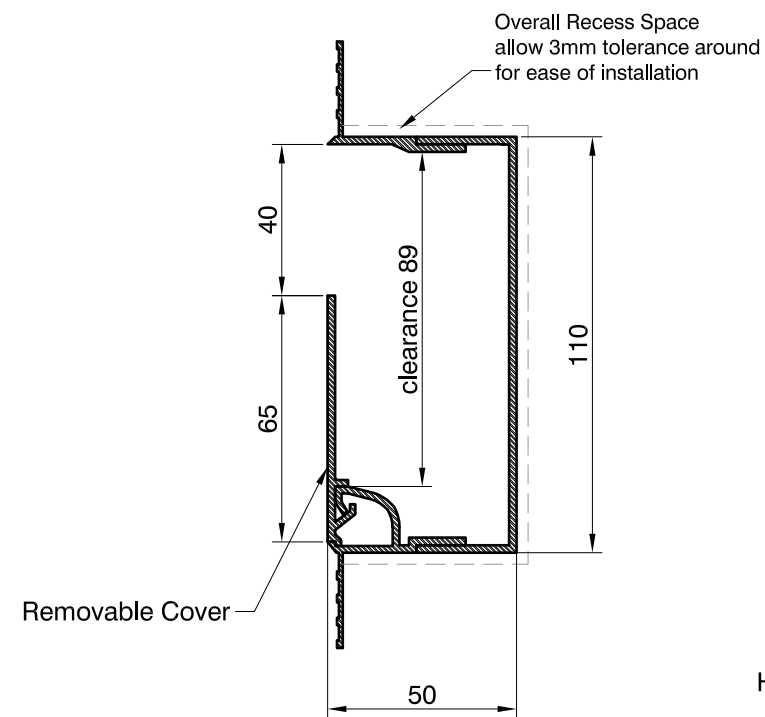


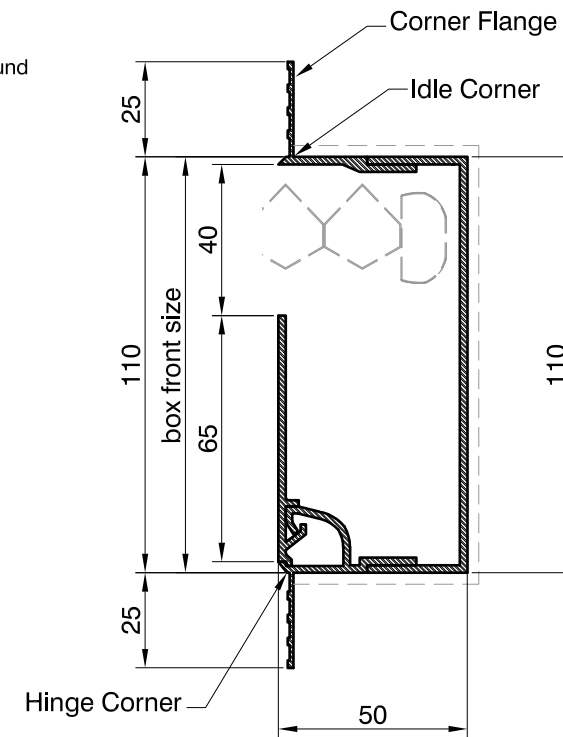
# Bindspace® C110x130 & C110x50 for Duette® 25 mm Roof Blind Motorised



**C110x130 R**  
Head Box



**C110x50 R**  
Side Box

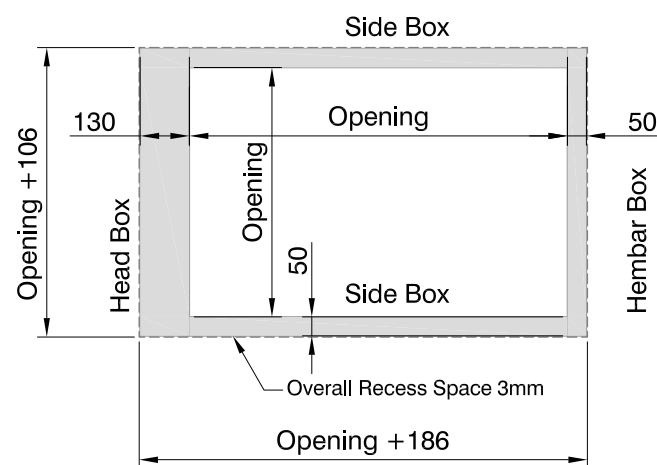


**C110x50 R**  
Hembar Box

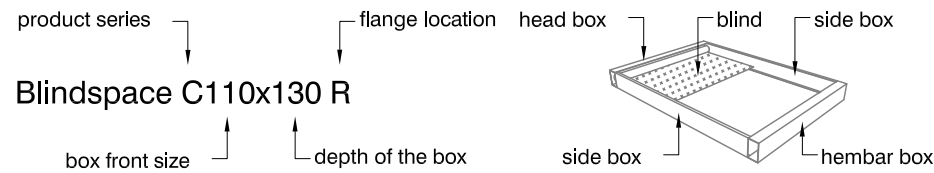
1:2 scale

Product	Blindspace C110x130
Description	Recessed aluminium boxes and covers designed to conceal rooflights blinds.
Material	Anodized Aluminium, grade: front plate: EN 6063 T6 back plate: EN AW-1050A H14/H24
Finishes	- Unfinished for site painting - Primed for site painting - Pre-finished to RAL colour
Blind sizes	Blind Sizes to fit inside the box: Duette® 25mm roof blind motorised Exact size depending on fabric and hembar selection. Opening Width max: 2100mm Opening Length max: 2200mm Max area: 5,4m <sup>2</sup>
Installation	Boxes should be fixed on both sides. The finished plaster level should be flush with chamfered edge. Anchoring countersink screws through skim coat flanges are recommended.
Drawing	Custom Blindspace Boxes C110x130 for Rooflight Blinds
Item name	C110x130, C110x50
Date	September, 2018
Notes	Dimensions in mm Do not scale from drawing
Drawn by	M. Kozak, B. Dzieza
Approved	A. Sundelin
Revision	R-01 first issue R-02 third parties hardware update R-03 naming update

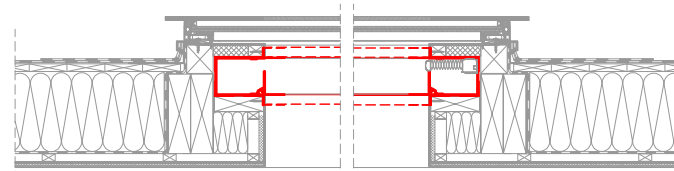
## FRAME LAYOUT



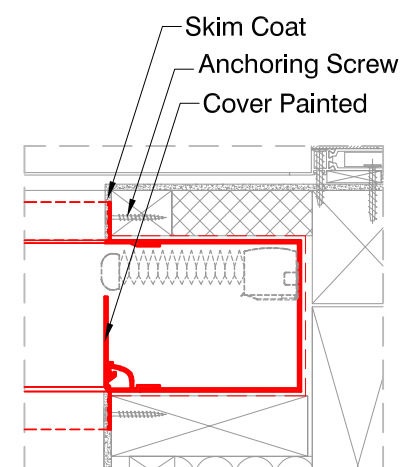
## PRODUCT REFERENCE



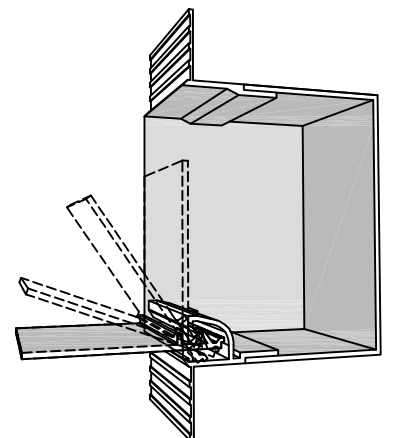
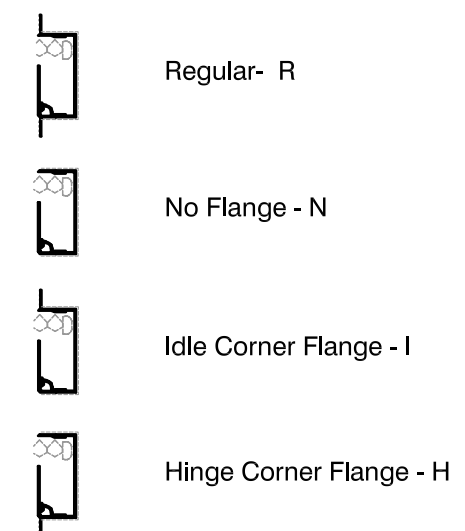
## SAMPLE ROOFLIGHT APPLICATION



## SAMPLE INSTALLATION DETAIL



## SKIM COAT FLANGES LOCATION OPTIONS



Print date	2018-9-26
Print file	blindspace c110x130 for rooflights with duette 25 hem motorised v10.dwg
Page size	ISO A3 420x297
Remarks	PRE